

WORKSPACE STORIES





BETTER DESIGN
BETTER VALUE
BETTER WORLD



EXPERIENCES ARE THE BIRTH OF STORIES

Five days a week, eight hours a day. That's how long the average employee spends their time working, with some working even longer hours. We laugh, we cry, we fight, we love, we build meaningful connections, and we spend all this time in the workspace that it has become parallel to our personal lives.

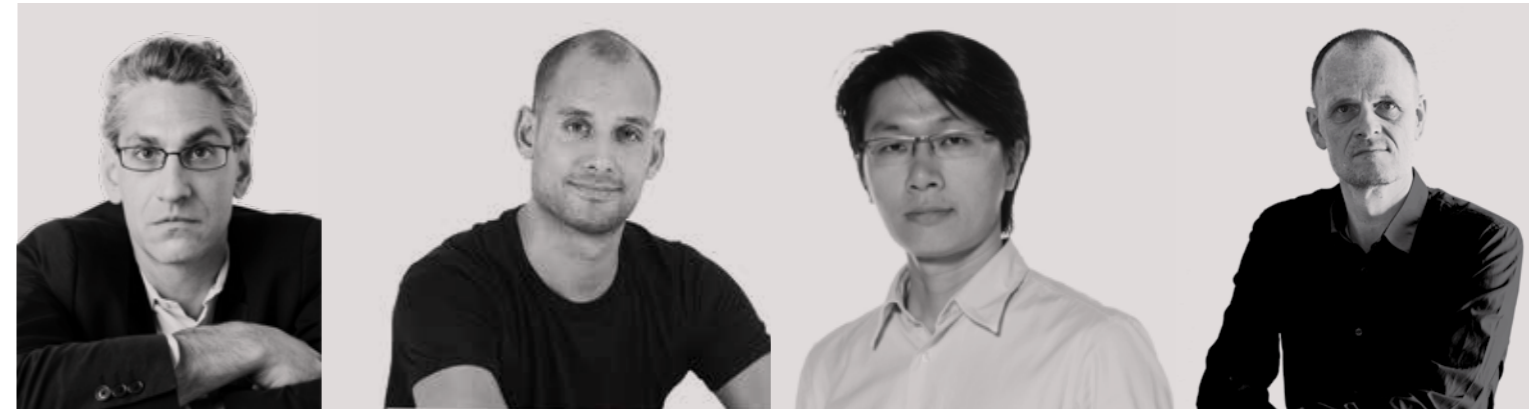
With each and every experience we have, a colourful amalgamation of unique stories is created to give birth to lasting histories. A space so significant in our lives such as the workspace deserves to be only the best. And that is why we at KIAN want to help create the best scenery, the best environment, and the very best workspace for you to write your own stories.

THE MASTERMINDS BEHIND THE DESIGNS

KIAN works closely with several international award-winning designers from all over the world to give our customers authentic, original designer furniture that is exclusive to KIAN. Their collective creative genius allows our designs to constantly remain relevant to ever-changing trends and tastes, and yet not lose touch with the past. The result is a dynamic, broad and diverse range of furniture choices that include the contemporary as well as the classic and traditional.



ENRIQUE MARTI ASSOCIATES



JOHN KELLY

DANNY FANG

JERRY LOW

HANS THYGE



SALLEH SALIMI SALIM

ANTONIO ERASO

SILVIA MARLIA

MORTEN GEORGEN

Office Areas



RECEPTION/WAITING AREA



SOCIALISATION AREA



EXECUTIVE OFFICES



TRAINING/LEARNING AREA



FOCUS/CONFIDENTIAL AREA



OUTDOOR AREA



COLLABORATION AREA

1. Chairs

- 42.- OVNI
- 44.- ACHILLA
- 46.- ZEAT
- 48.- FLOAT
- 52.- BOBBY
- 54.- ROPE
- 58.- BEBO
- 60.- NORDIC
- 64.- BIRDIE
- 66.- GRADO
- 68.- MALENA
- 70.- PINNA
- 72.- GAJAH
- 74.- GRADIENT
- 78.- POLLEN
- 80.- BASKET
- 82.- LOUVRE
- 84.- 120
- 86.- SPONGE
- 88.- CAP
- 90.- RUMBLE
- 92.- OBIE
- 94.- YARK
- 98.- VANTO
- 100.- QAVAN
- 102.- ROSY
- 106.- MOSH

2. Tables

- 112.- GRADIENT
- 114.- QUAD
- 116.- DAUN
- 118.- OTTO
- 122.- T-4
- 126.- E-ZEE

3. Sofas

- 130.- MOSAICO
- 134.- LAI
- 136.- AMADEUS
- 138.- BOBLE

4. Systems

- 144.- SALIENT STEEL
- 146.- SALIENT TIMBER
- 148.- KEEN
- 150.- LINK 13
- 152.- EASE

5. Partitions

- 160.- LINK 5H
- 162.- LINK 6H
- 164.- PLAY ARC
- 168.- PLAY MOOD
- 172.- PEAK

6. Storages

- 176.- STORAGES
- 178.- WINDOW

7. Work Sofa

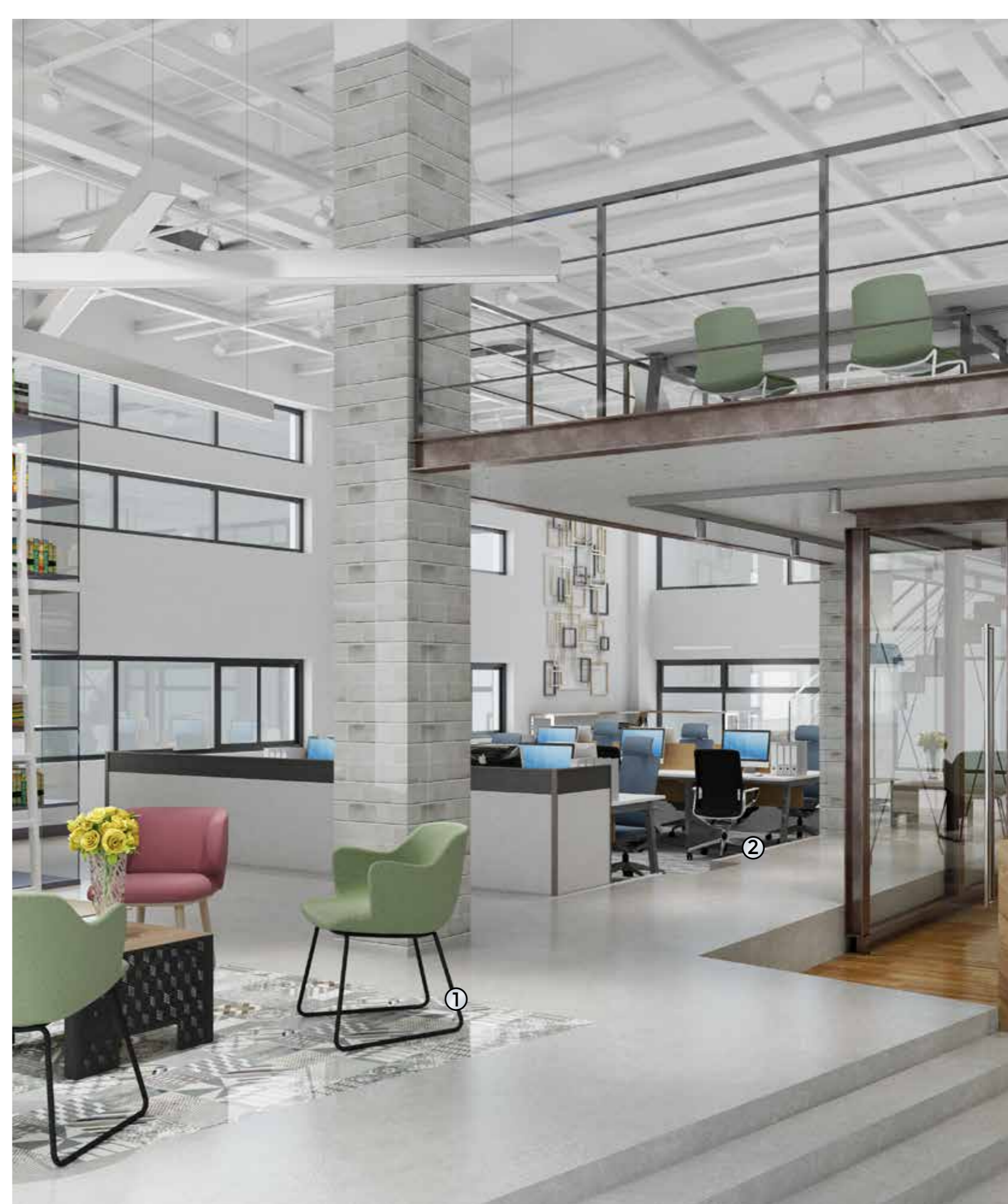
- 184.- FLEXX

ACTIVITY-BASED WORKSPACE

Give your employees the power to choose when and how they work. Activity-Based Workspaces are equipped with different areas related to the various tasks done throughout the day, which might include sitting in common areas to connect with other teams, working in conference rooms to take virtual meetings, or using quiet spaces to focus.



- 1. Bebo
- 2. Nordic
- 3. Ease



- 1. Bebo
- 2. Vanto



- 1. Float
- 2. Salient
- 3. Yark



- 1. Rope
- 2. Float



VERSATILE, MOBILE, AND ABSOLUTELY AGILE

Experience a new, more dynamic working methodology, which favours a sustainable and people-centric way of working in versatile spaces. Mobile and agile furniture make it possible to construct a workspace that achieves flexibility and responds to an ever-increasing diversity of uses that create value and innovation through collaboration.

1. Rope
2. Gajah
3. Bebo
4. T-4
5. Cap



1. Window
2. Amadeus



1. Link 13
2. Window

WELCOMING NATURE INTO THE WORKSPACE

Return to our roots and bring nature into the workspace for the benefit of your employee's health and well-being. Known as Biophilic Design, studies have shown that adding greenery and exposure to natural light improve mood, energy, alertness, and productivity. In addition, offering access to outdoor spaces can improve creative thinking.



1. Boble
2. Obie
3. Otto



- 1. Rope
- 2. Gajah
- 3. Bebo



- 1. Play Mood
- 2. Boble
- 3. Quad
- 4. Amadeus
- 5. Window

COLLABORATION IS KEY

Collaboration areas are open, casual, but highly functional spaces where people convene to develop and bring ideas to fruition. Your employees will be able to get around the workspace without feeling suffocated or stuck in one place. It will facilitate the sharing of ideas and improve communication between team members.



①

②

- 1. Flexx
- 2. Play Arc



①

②

③

④

- 1. Float
- 2. Nordic
- 3. Achilla
- 4. Window



- 1. Bobby
- 2. Gajah
- 3. Bebo



- 1. Mosaico
- 2. Peak
- 3. Flexx
- 4. Cap
- 5. Pinna
- 6. T-4

REGAIN YOUR INNER FOCUS

There are times during the workday where one needs to sit down and focus on their tasks at hand. The Focus Area, another example of an Activity-Based Workspace element, with ergonomic seating solutions and workstations, is perfect for efficient and productive working.



- 1. Salient
- 2. Yark
- 3. Peak



- 1. Ease
- 2. Peak
- 3. Yark



- 1. Flexx
- 2. Vanto



- 1. Mosh
- 2. Window
- 3. Link 13
- 4. Mosh

THE NEW ERA OF HYBRID WORKING

When the world was hit with the COVID-19 pandemic, it changed our perceptions of working forever. In this new era of hybrid working, employees now have more flexibility to get work done when they're most productive, whether on-site at hot desks or from a remote location. With work-life balance, employees have better control of their work schedules and personal lives.



- 1. Slient
- 2. Vanto
- 3. Yark



- 1. Flexx
- 2. Play Arc



①

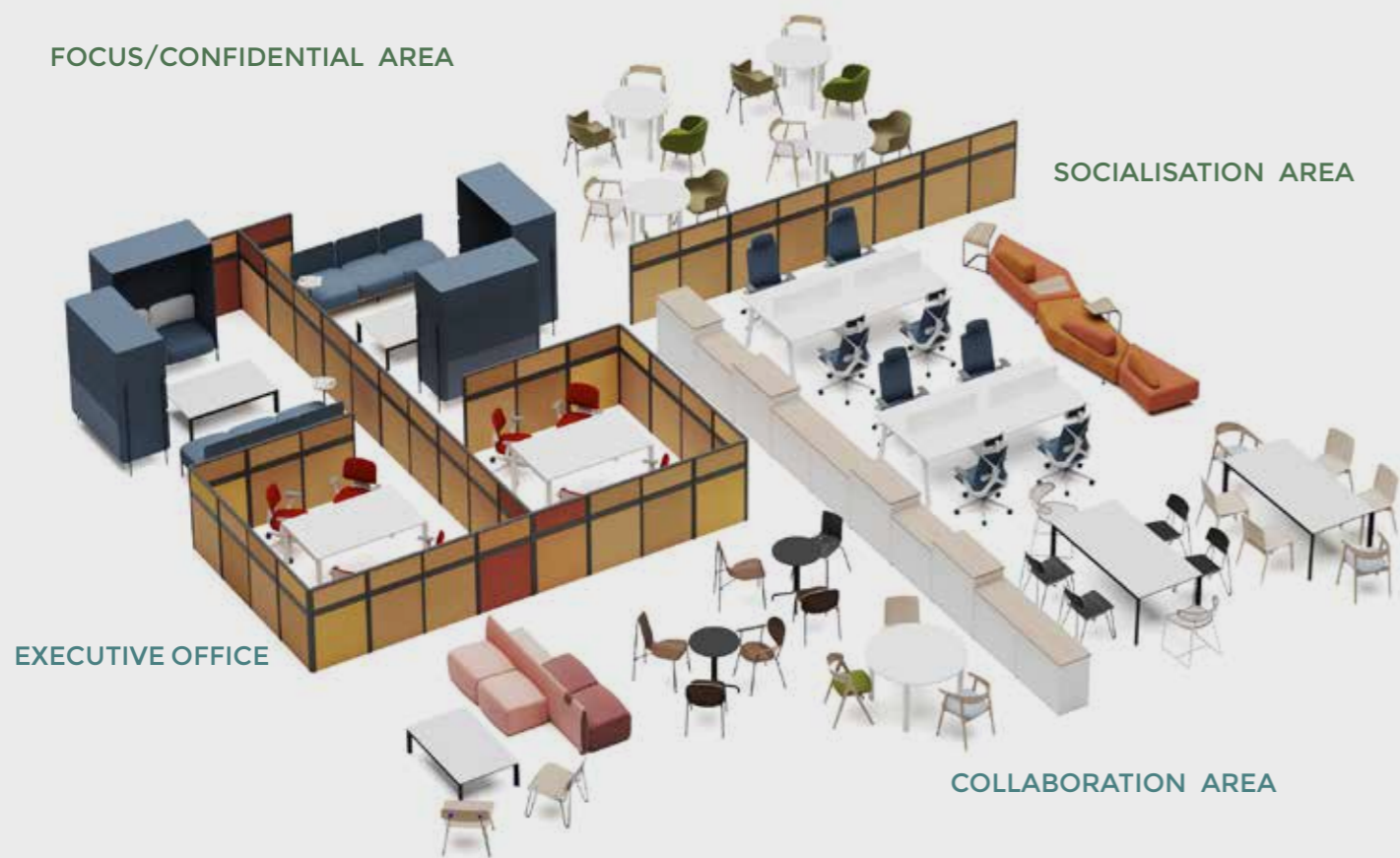
②

- 1. Bobby
- 2. E-ZEE

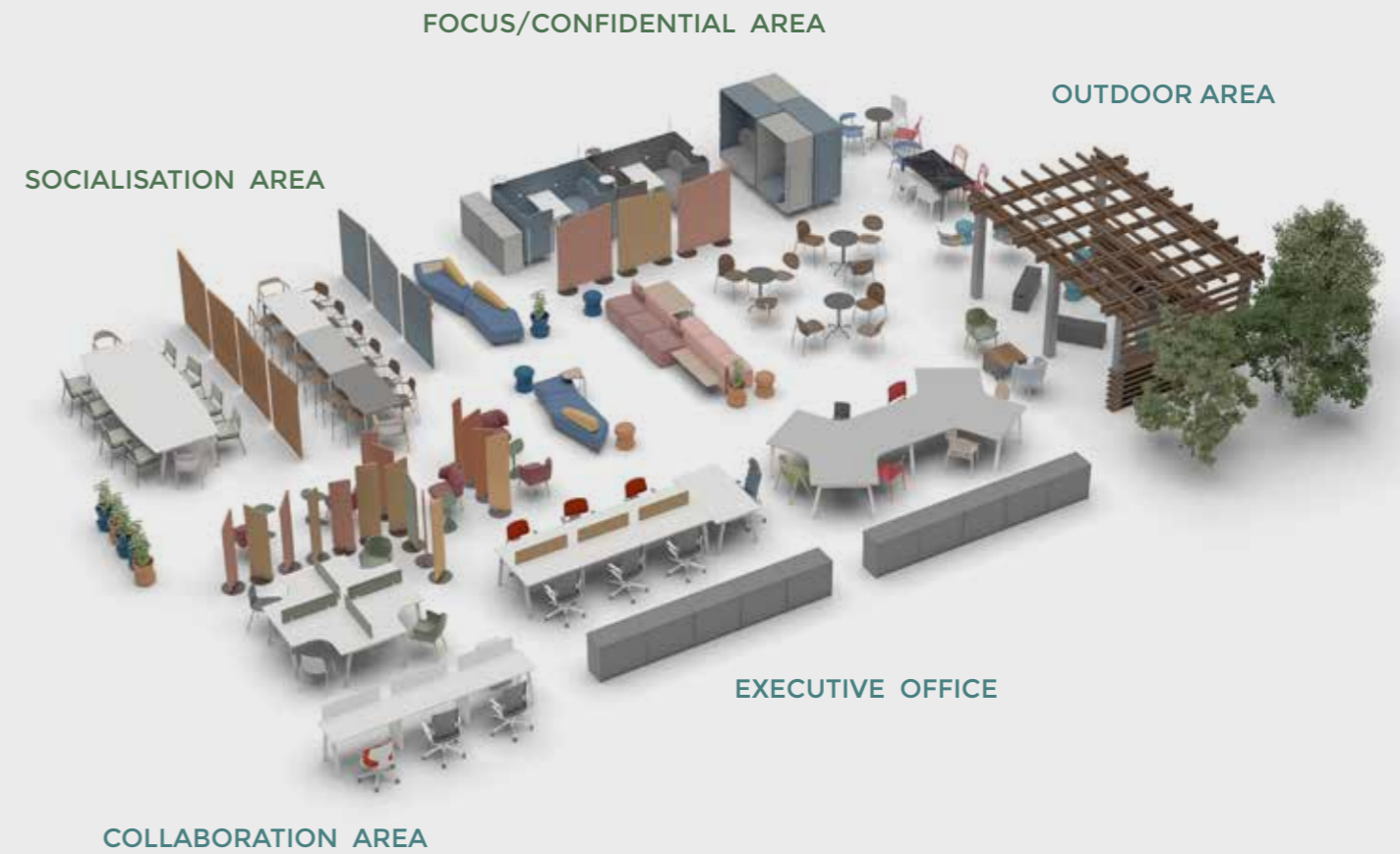
BUILD YOUR IDEAL WORKSPACE

Choosing your preferred workspace layout is made easy with the flexibility and versatility of our products. Move, rearrange, and combine our furniture in any way you like to build your ideal Activity-Based Workspace. The possibilities are endless.

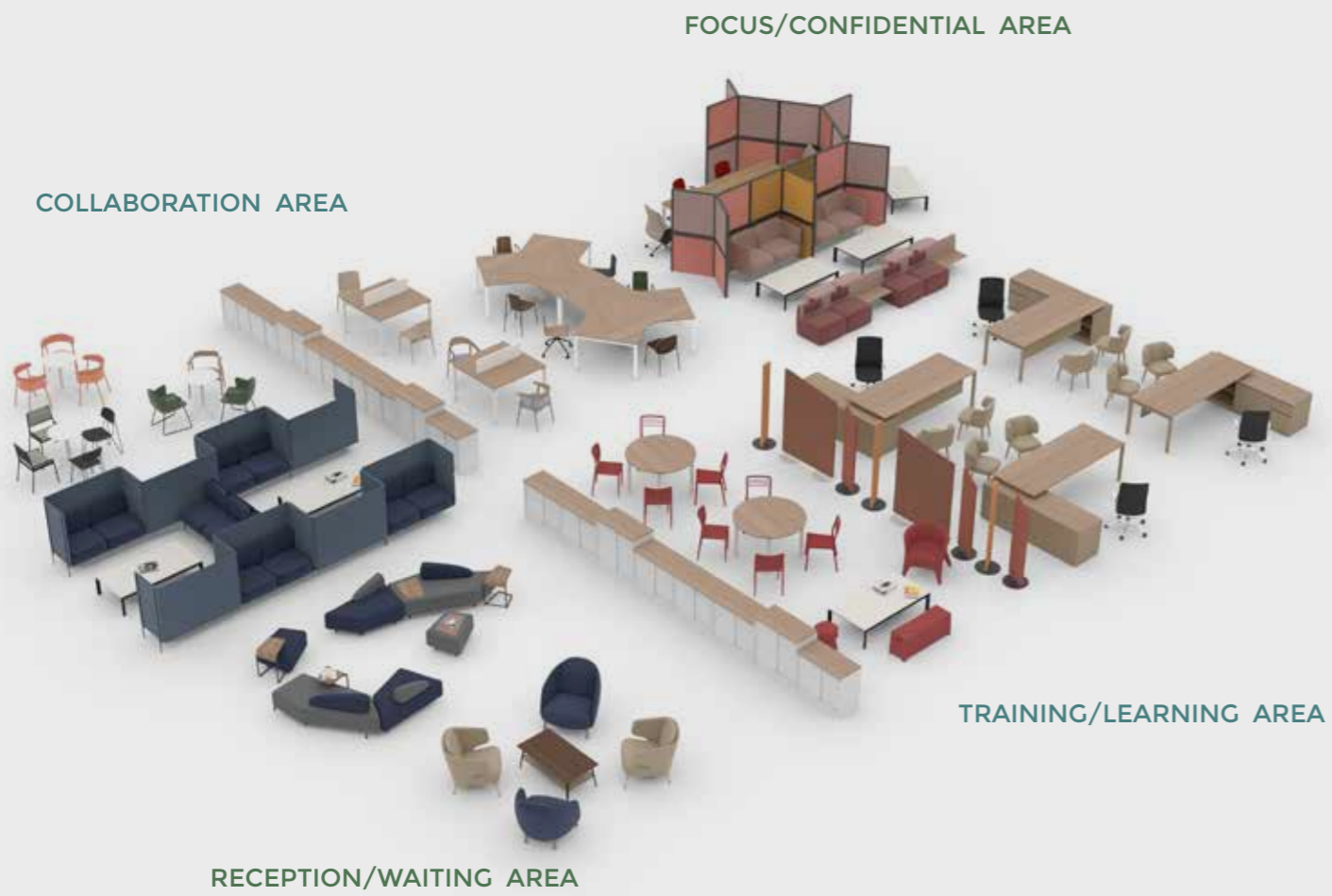
Configuration 1



Configuration 2



Configuration 3



Configuration 4





WORK
ANYWHERE

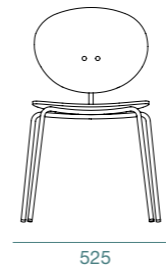
1. Chairs

- 42.- OVNI
- 44.- ACHILLA
- 46.- ZEAT
- 48.- FLOAT
- 52.- BOBBY
- 54.- ROPE
- 58.- BEBO
- 60.- NORDIC
- 64.- BIRDIE
- 66.- GRADO
- 68.- MALENA
- 70.- PINNA
- 72.- GAJAH
- 74.- GRADIENT
- 78.- POLLEN
- 80.- BASKET
- 82.- LOUVRE
- 84.- 120
- 86.- SPONGE
- 88.- CAP
- 90.- RUMBLE
- 92.- OBIE
- 94.- YARK
- 98.- VANTO
- 100.- QAVAN
- 102.- ROSY
- 106.- MOSH

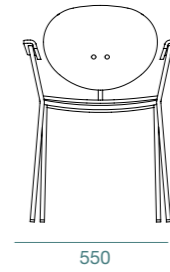
OVNI

This chair is an exercise in minimalism. Constructed of laminated plywood on a metal frame, the Ovni Chair is inspired by a simple geometric shape - the oval. The oval backrest is mirrored in the oval seat, both delicately curved to offer exceptional comfort.

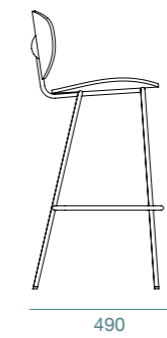
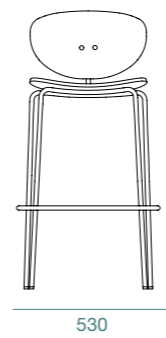
CHAIR



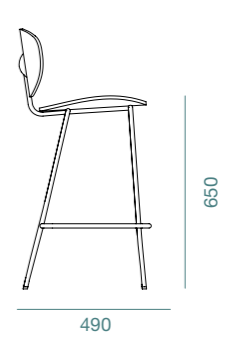
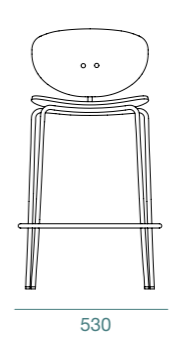
ARMCHAIR



BARSTOOL



COUNTER STOOL



VENEER

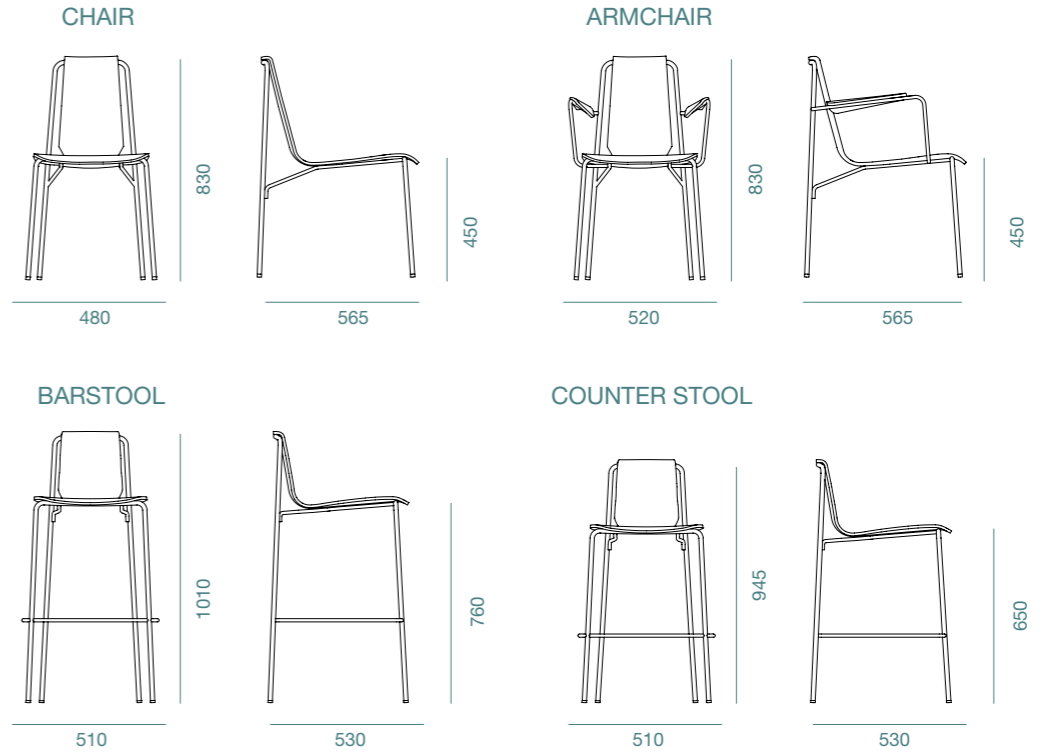


POWDER COATED STEEL



ACHILLA

Think of a tall, svelte lady in a formfitting dress and that's the Achilla Chair. The slender but sturdy frame holds a plywood shell that starts from a high backrest and fans out into the seat in one smooth, sensual sweep. Alluringly slim with a tucked-in waist where the backrest meets the seat, this stackable chair oozes an appeal that sets hearts racing.



VENEER

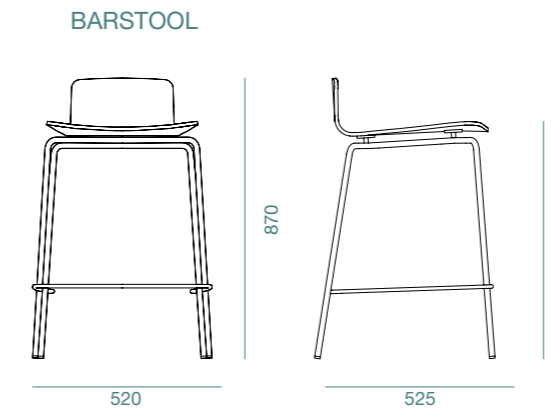
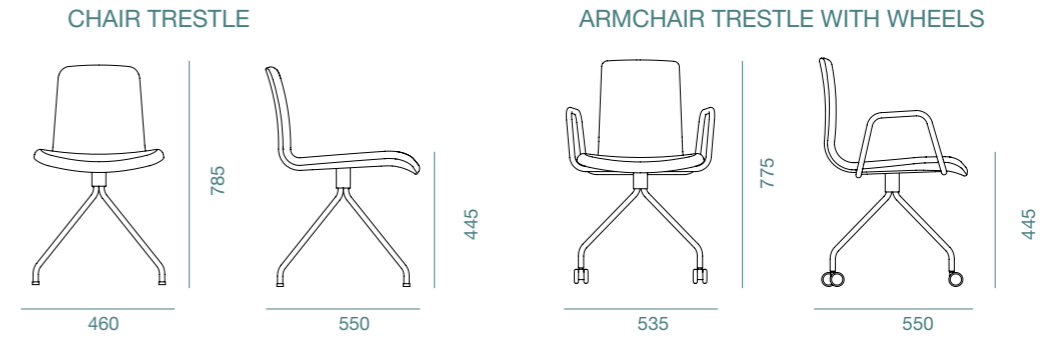
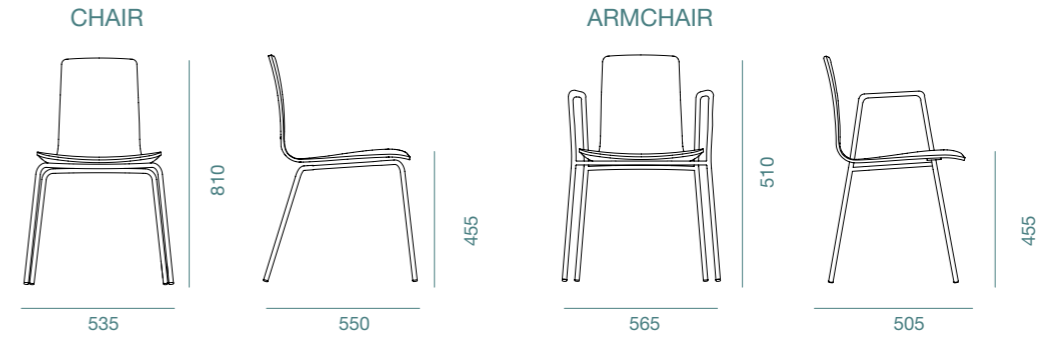


POWDER COATED STEEL



ZEAT

Out of the rich Scandinavian design traditions comes the Zeat Chair. Its charm lies in its utter simplicity. Zeat is minimalist in design, but still sports small details and refined curves that give the chair a distinct character. Made of mild steel, its lightness is one of its key strengths. Another is that there are different versions of the Zeat to cater to different moods and styles, especially in the workspace. Both stackable and non-stackable versions of Zeat are available.



VENEER



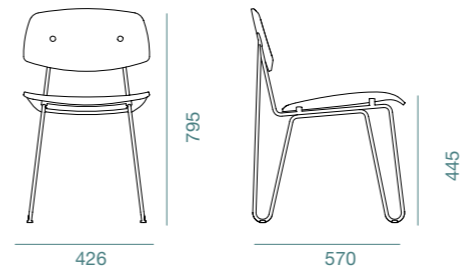
POWDER COATED STEEL



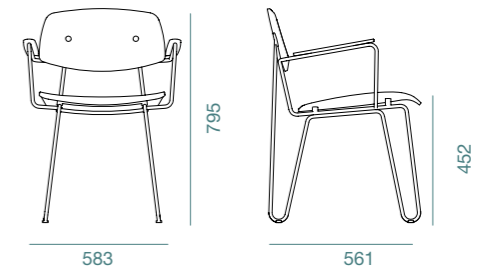
FLOAT

As its name suggests, the Float inventively uses a slender steel frame to give off the illusion that the seat and backrest are freely 'floating'. By delicately weaving this minimalistic look with a traditional Scandinavian design, the Float achieves its goal of being an all-purpose contract chair that will give any setting a coherent look.

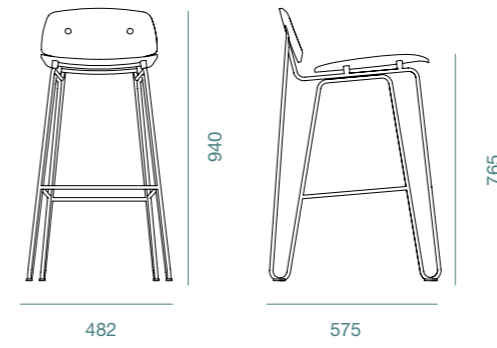
CHAIR



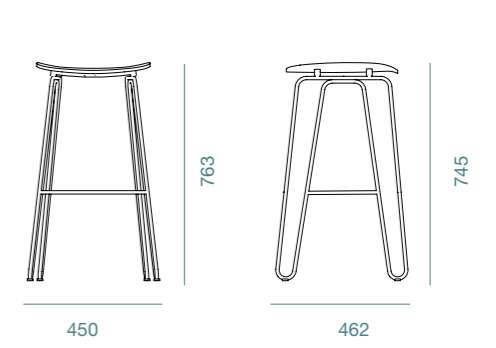
ARMCHAIR



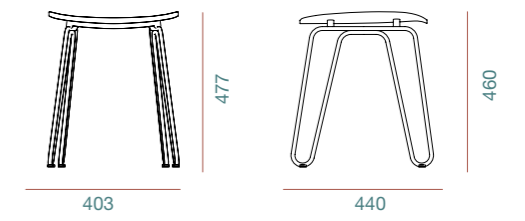
BARSTOOL



STOOL



LOW STOOL



VENEER



POWDER COATED STEEL



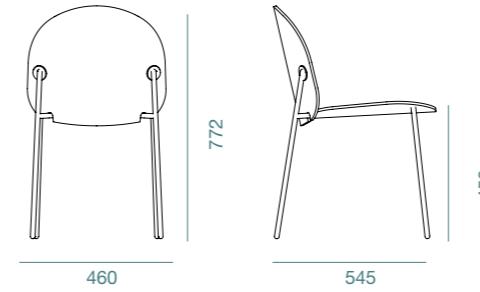


BOBBY

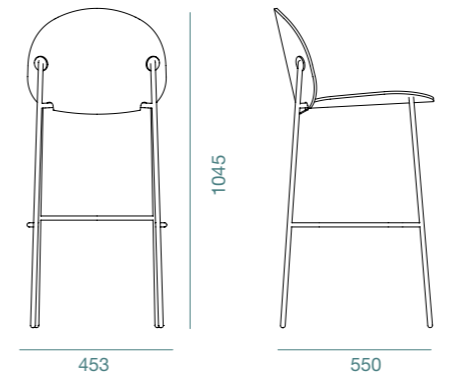
There's a certain kind of attraction in simplicity, and the Bobby brings it out to the fullest. Made from a single piece of plywood, the rounded shape of the backrest gives this chair a nice and trendy concept, always a classic design. The sturdy steel frame also makes it durable and absolutely stackable. Always by your side, the Bobby can be your seating companion for any occasion, whether casual or formal depending on its colour and finish.



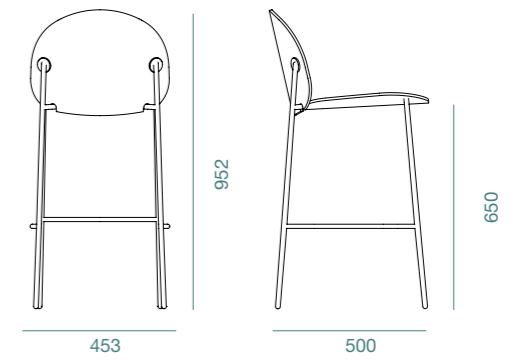
CHAIR



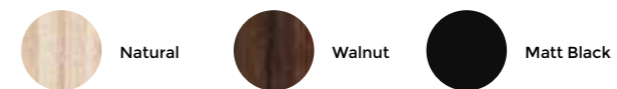
BARSTOOL



COUNTER STOOL



VENEER



POWDER COATED STEEL



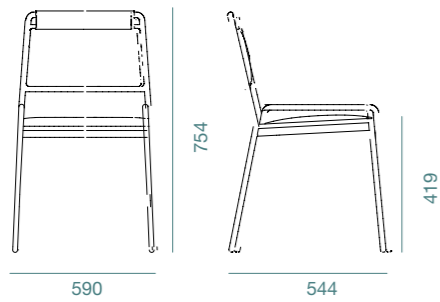
ROPE



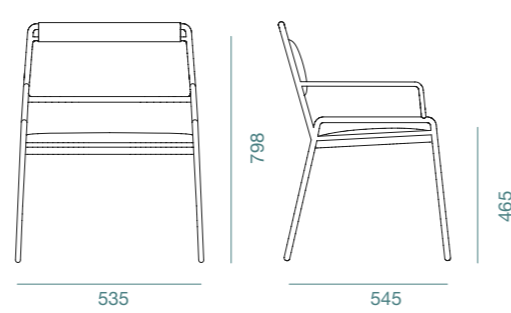
ROPE

Enjoy neoclassical artistry in the Rope. The collection was fashioned to be a clear evocation of the Art Nouveau style with its opulent volumes and generous proportions, with these luxurious details being bolstered by a sturdy steel structure. This blending of art and functionality has given birth to an honest, comfortable and versatile selection of furniture that is able to fulfil even the most demanding expectations.

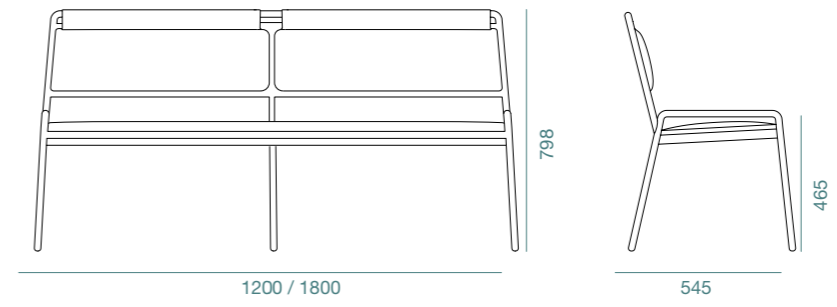
CHAIR



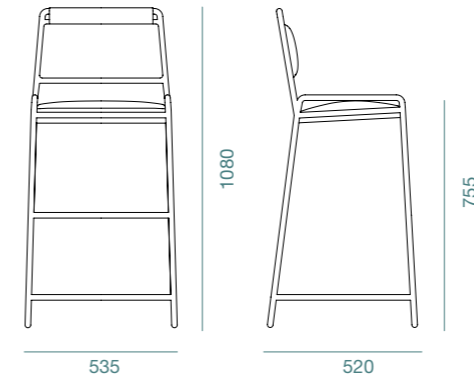
ARMCHAIR



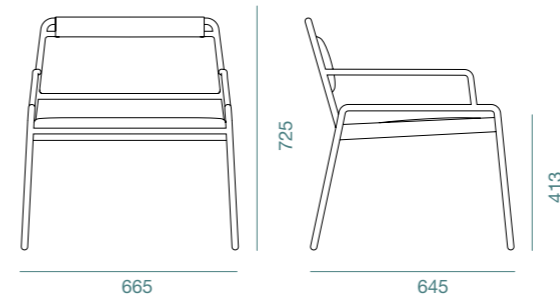
BENCH



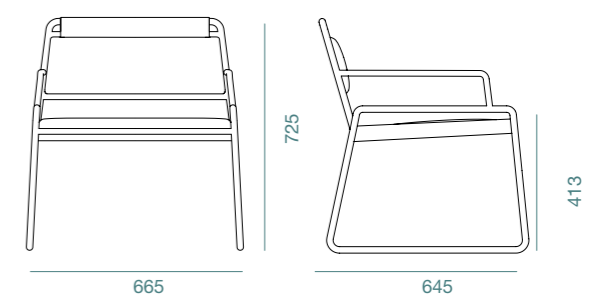
BARSTOOL



LOUNGE CHAIR



LOUNGE CHAIR SLED



POWDER COATED STEEL

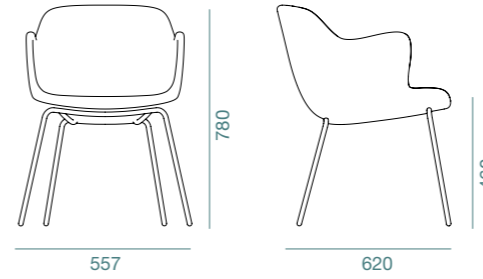


Black

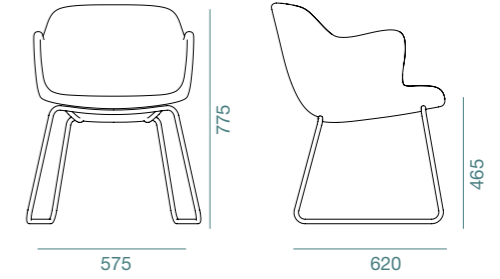
BEBO

Bebo was conceived from the perceptive intuition of trends to come. The use of a moulded foam seat for superb comfort is an essential feature. Bebo is an expression of rounded, sensual and feministic flair that evokes the feeling of dynamism. Bebo takes its inspiration from the designs of the fifties and sixties, eras that are slowly making a trendy comeback.

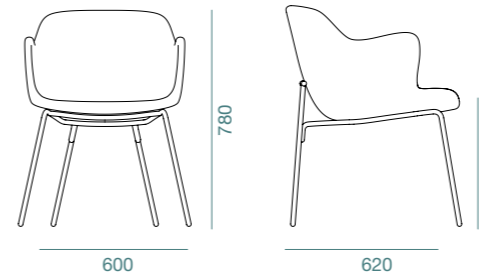
4-LEGGED SLIM



SLED FRAME



4-LEGGED BOLD



POWDER COATED STEEL

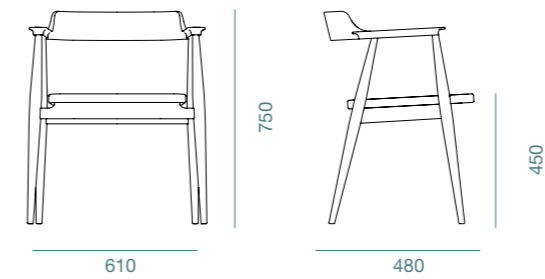


NORDIC

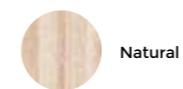
This jewel of a chair is a high tribute to the wood from which it is formed. All the characteristics for which wood is loved are included in the Nordic arm chair: wood's natural beauty, its wild look and kind strength, and its soft touch and soft embrace. Comfort is already a given. Made of ash. Nordic also has an upholstered seat.



ARMCHAIR



SOLID WOOD



Natural



Matt Black

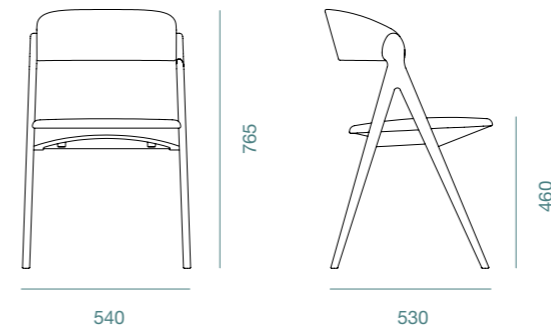


BIRDIE

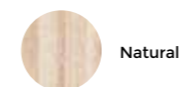
There's something playful about the Birdie Chair. Ingeniously combining the traditional concept of a single rounded backrest with contemporary double-single legs, Birdie brings to mind a charming little bird confidently balanced on a branch. The veneered plywood of the backrest gives this delightful chair unsurpassed comfort. See it in beech or oak, with upholstered or veneered plywood seat.



CHAIR



VENEER & SOLID WOOD



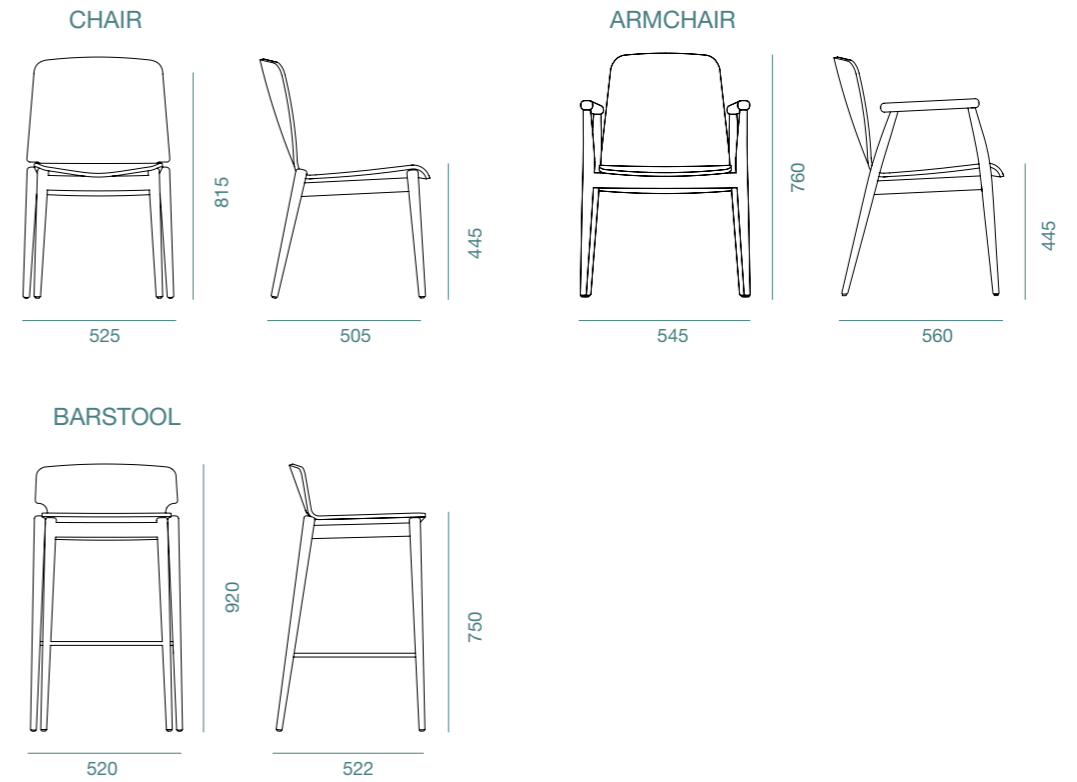
Natural



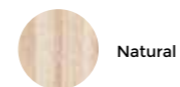
Matt Black

GRADO

A popular chair of the 1980s finds modern expression in the Grado Chair. Light and comfortable, this reinterpreted retro chair is also charmingly uncomplicated in design, except for two signature indents at the base of the backrest which single this chair out from the others. The backrest flows seamlessly into the seat in a single smooth sweep, accentuating Grado's elegance. The Chair version is stackable up to five units.



VENEER & SOLID WOOD



Natural



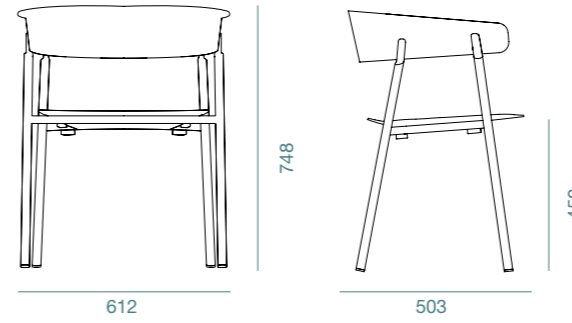
Matt Black

MALENA

There is a down-to-earth feel about the Malena chair that gives it a timeless quality. This powder coated fully aluminium chair is light, strong, durable and comfortable. Its practical flavour, coupled with the distinctive industrial look and a range of fun colours, makes this chair the right pick for both indoor and outdoor environments, either by itself or as part of a collection.



ARMCHAIR



ALUMINIUM POWDER COATED

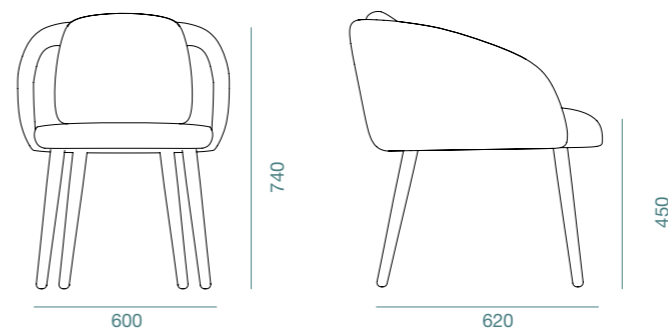


PINNA

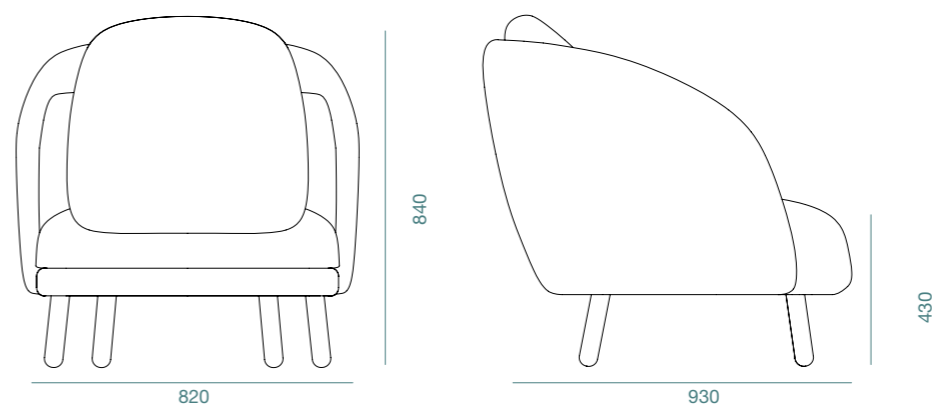
Simple Nordic designs describe the Pinna series of chairs. Sit snugly within the cosy confines of the Pinna Chair, surrounded by upholstered sides, backrest and an integrated cushion. The fine, tapered legs of solid beech wood highlight the chair's elegance. Pinna is an easy fit with any workspace decor. Or sink into the great comfort of the Lounge Chair version. The more informal tone of the Lounge Chair version makes it just the thing to have in waiting areas and lobbies.



ARMCHAIR



LOUNGE CHAIR



SOLID WOOD



Natural

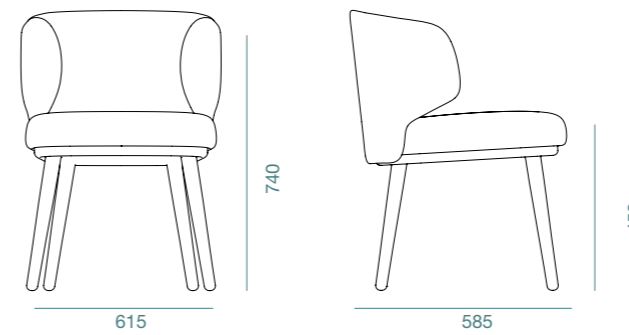


Black

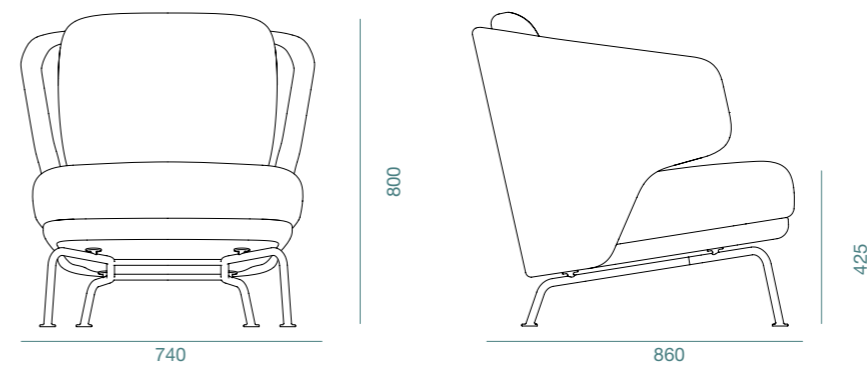
GAJAH

Everything is big about this chair. Like its name implies, the Gajah Chair (gajah means 'elephant' in the Malay language), offers an invitingly deep seat and a generously wide back, complete with two wings that resemble an elephant's huge ears. This fully assembled chair sits on a solid beech wooden frame while the Lounge version has a powder coated steel frame.

ARMCHAIR



LOUNGE



SOLID WOOD



POWDER COATED STEEL



GRADIENT

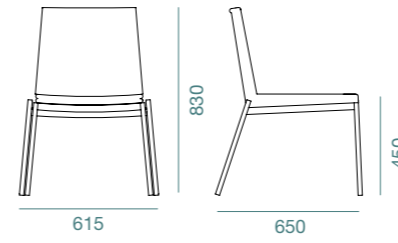


GRADIENT

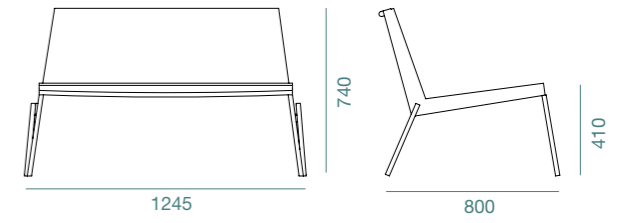


The Gradient collection is a set of all-weather furniture, a contemporary interpretation of traditional wicker weaving. The set is a wonderful showcase of colourful wickerwork.

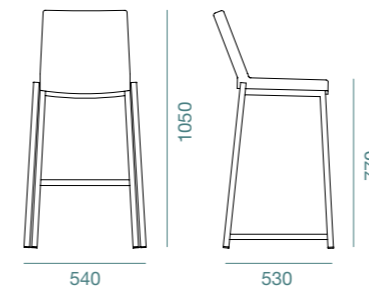
DINING CHAIR



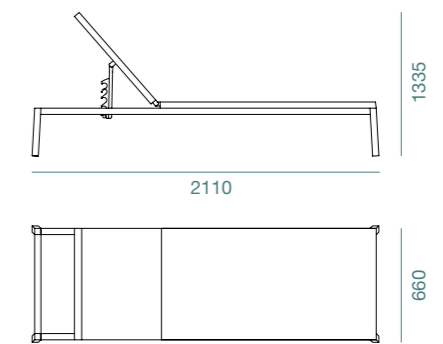
2-SEATER LOUNGE CHAIR



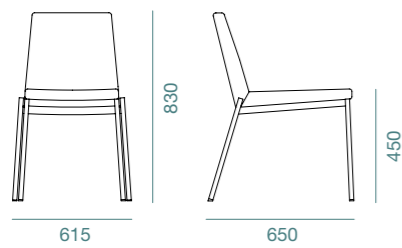
BARSTOOL



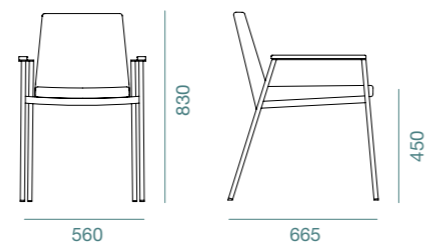
SUNLOUNGER



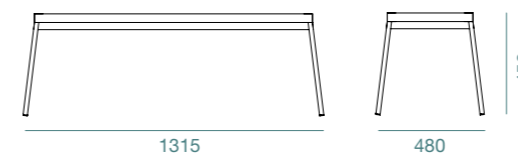
CHAIR



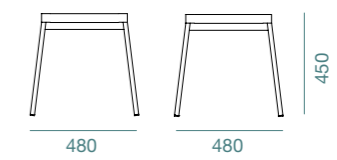
ARMCHAIR



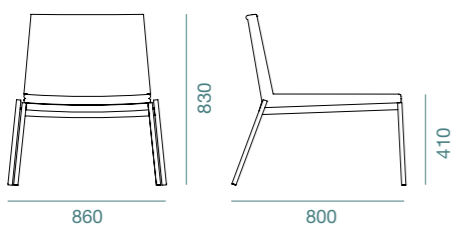
BENCH



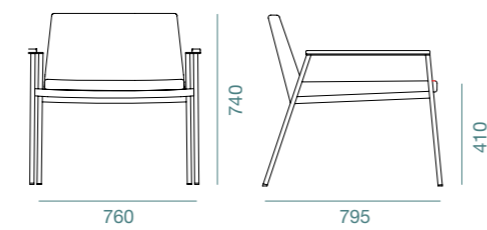
STOOL



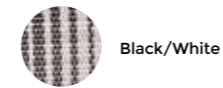
LOUNGE CHAIR



LOUNGE ARMCHAIR



WICKER



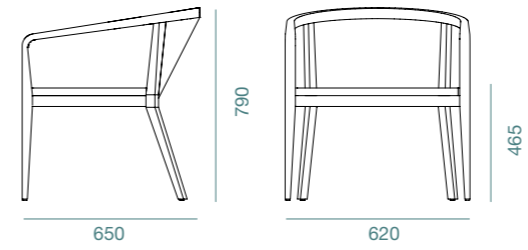
POWDER COATED STEEL



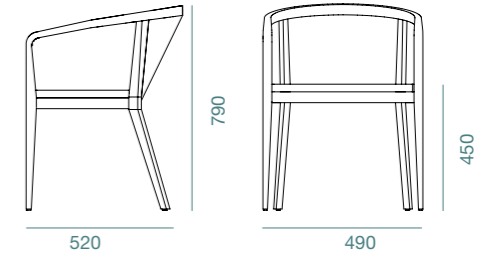
POLLEN

Pollen is a fresh update of a favourite oldie. This modern heritage collection of armchair, barstool, lounge chair and bench has the same wickerwork for the backrests, but the traditional rattan is replaced with durable polypropylene weave for a contemporary twist.

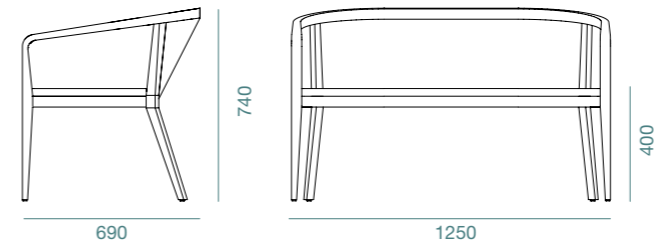
LOUNGE CHAIR



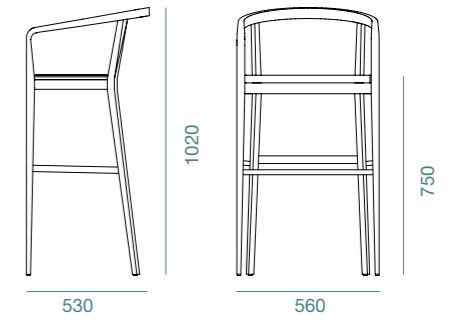
ARMCHAIR



BENCH



BARSTOOL



SOLID WOOD



Matt Black

RATTAN



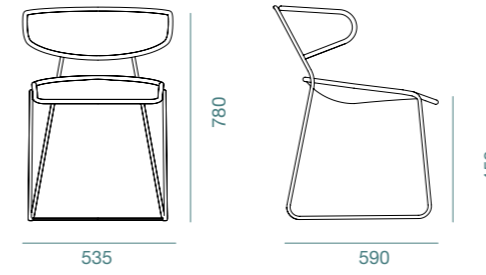
Natural

BASKET

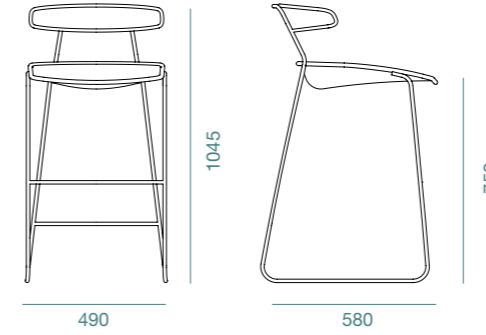
Since time immemorial, handmade hemp baskets have met human needs in countless ways: from storing food to cradling babies to trapping fish. Their rounded shapes are the inspiration for the very adaptable Basket Chair of contemporary design. Made of stainless steel and flat wicker, this comfortable outdoor chair stands out for its comfort, attractiveness and easy fit into almost any kind of environment.



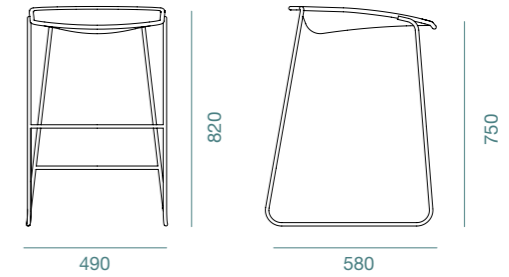
CHAIR



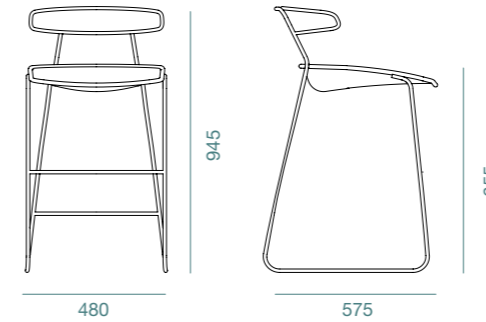
BARSTOOL



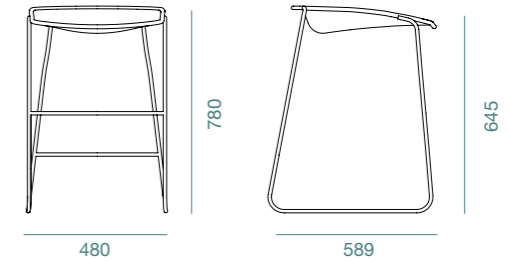
HIGHSTOOL



COUNTER BARSTOOL



COUNTER HIGHSTOOL



ROUND PE WICKER



POWDER COATED STEEL

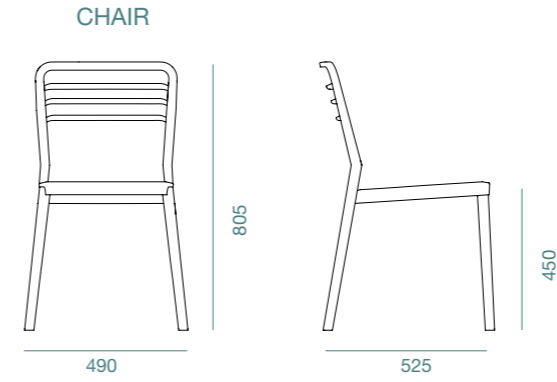


LOUVRE



Inspired by the American Midwest style and Shaker craftsmanship, the Louvre chair is a lightweight chair with an open backrest. It reinterprets the design of traditional wooden chairs and utilises the quality of modern plastic injection moulding technology. It is a nonsense design that is enjoyable and familiar to the user, and at the same time, modern and fun. The Louvre Chair is stackable and can be used indoors and outdoors.

The Louvre Chair is also available in recycled Ocean Plastic. For more information about Ocean Plastic, please refer to page 192-195.



PP



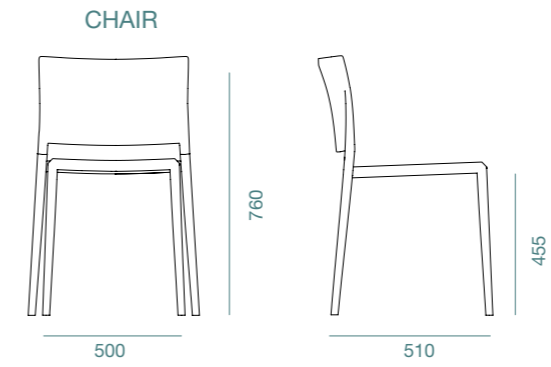
OCEAN PLASTIC



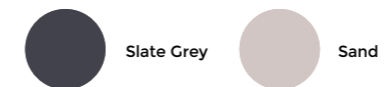
120

Polypropylene and mild steel combine to present modern sophistication, pure lines and a sturdy, stackable chair in ultra-fresh colours. The 120 chair was inspired by a triangle's inherent strength. Look for the chair's unique feature of three 120° angles, adjacent to each other, forming the joint between the front leg and the chair seat.

The 120 Chair is also available in recycled Ocean Plastic. For more information about Ocean Plastic, please refer to page 192-195.



PP

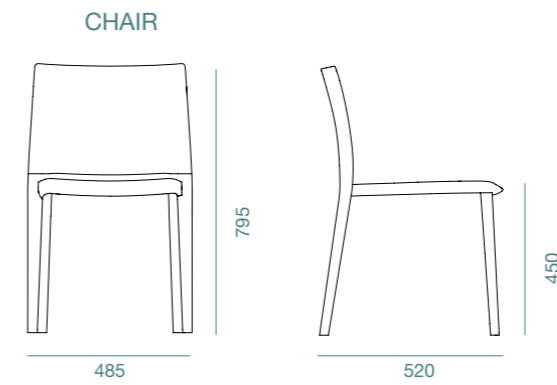


OCEAN PLASTIC



SPONGE

The Sponge is a simple, yet adaptable piece of furniture that is designed to fit in anywhere, no matter where you place it. Made fully of polypropylene, it ensures that the chair is long lasting, durable, and easily maintained. The Sponge is stackable which allows you to save space and comes in a variety of colours that you can choose from to suit your taste or the theme of your business.

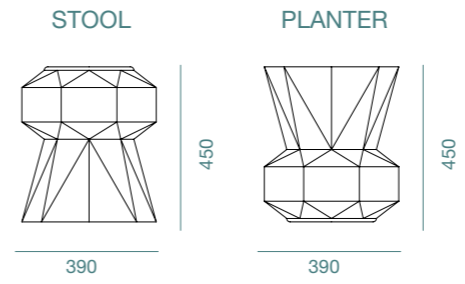


PP



CAP

The Cap is a fun outdoor furniture item that serves two purposes. Sit on it as a stool, but turn it upside down and watch it transform into a flowerpot. Inspired by a bottle cap, it is made of recyclable LLDPE to make it a light and easily movable piece, and it comes in a range of colour options that make it ideal for events.



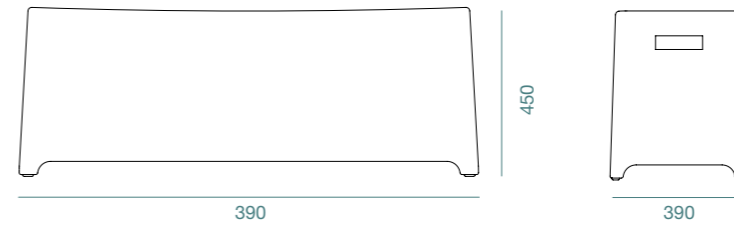
LLDPE



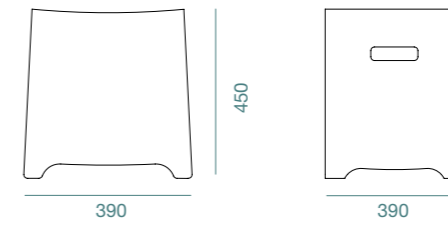
RUMBLE

The Rumble Series has an element of fun about it. Manufactured using the rotational moulding process, the hardy bench and stool are highly suitable for heavy-duty indoor and outdoor use. Bright vibrant colours and rounded edges make this series an ideal furniture solution in workspace settings.

BENCH



STOOL



LLDPE

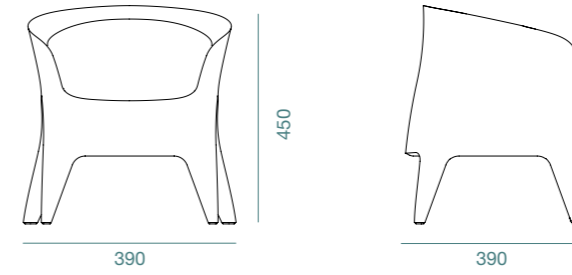


OBIE

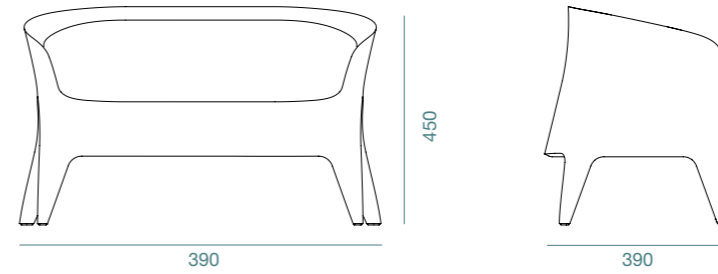


The Obie armchair and love seat were designed to be used in the indoor and outdoor scenes, both in the home as well as in commercial areas. The material used is polyethylene or LLDPE, which is UV protected and impervious to fluids. The seamless construction makes the product ideal for the outdoors. In addition, the strength and cleanability of the product is ideal to withstand the rigors of the exposure to the elements.

ARMCHAIR



LOVE SEAT



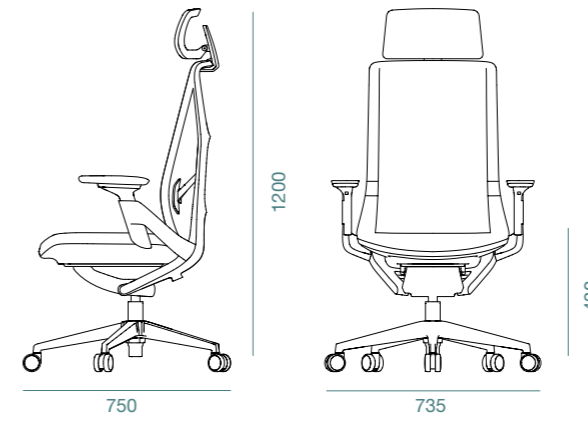
LLDPE



YARK

A new and bold design that reinvents the traditional concept of net office chairs. The most prominent feature of the Yark is its Y-shaped backrest frame that is made of sturdy, yet pliable nylon material. This unique and elastic structure is meant to bend and twist in response to the human body, thus providing maximum ergonomics and lumbar support.

OFFICE CHAIR



FRAME



BASE



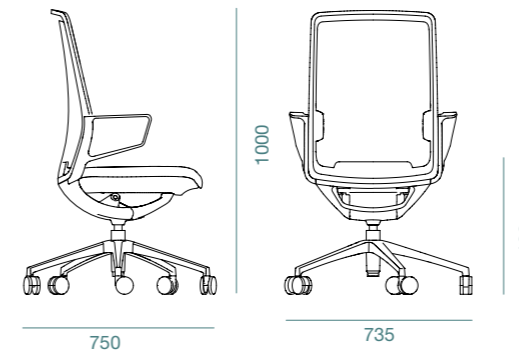


VANTO

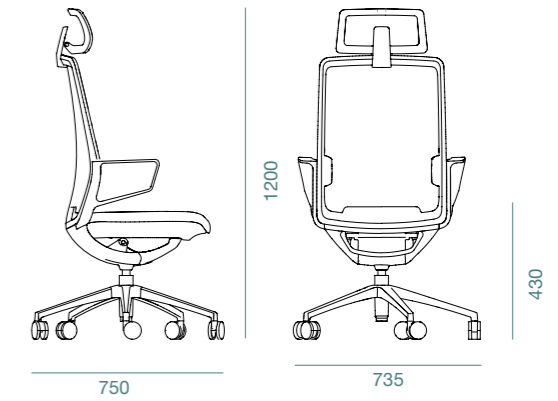
The design of the Vanto showcases smooth and sleek lines, coupled with the refinement of polished aluminium. The seat features a downward arc design that helps to prevent feet numbness, while the backrest provides adaptive lumbar support that reduces discomfort from long seating periods. The Vanto also comes with a 20-degree 3 angle leaning safety lock, and the leaning strength can be adjusted with a twist of a nut at the bottom of the seat.



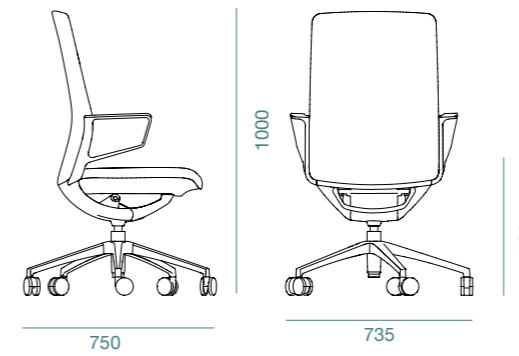
OFFICE CHAIR



OFFICE CHAIR



OFFICE CHAIR



FRAME

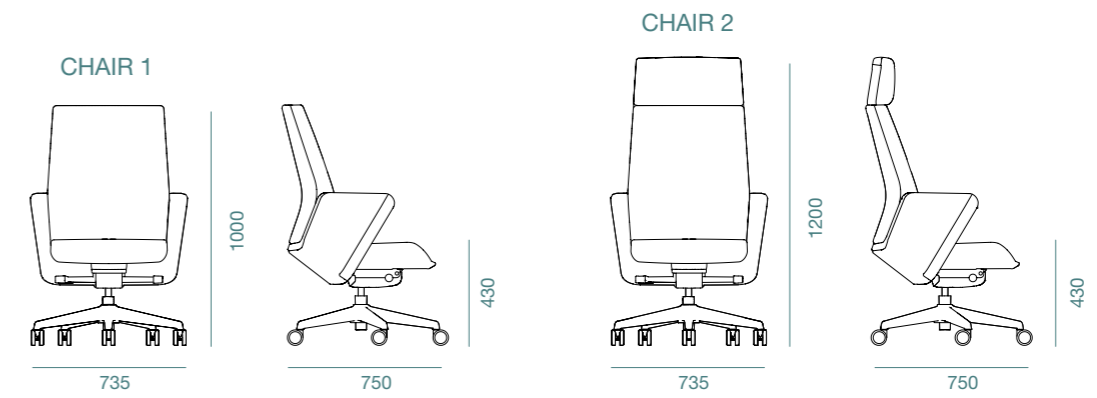


BASE



QAVAN

Capture hearts with the simple and fashionable appearance of the Qavan. The geometric and clean shape radiates a sense of minimalism, and together with its comfortable seat, the Qavan perfectly blends art and functionality.



BASE



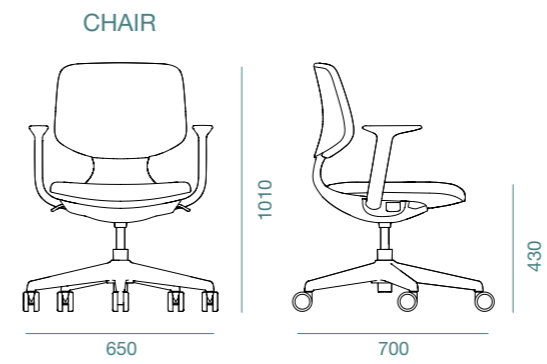
Chrome



Aluminium

ROSY

As slim and elegant as a beautiful rose. The Rosy is a light, comfortable design that was inspired by the newest urban trends. It features a one-angle tilting backrest with a concealed locking mechanism, and upholstered cushions that are soft and supple like flower petals.



SHELL/FRAME



BASE



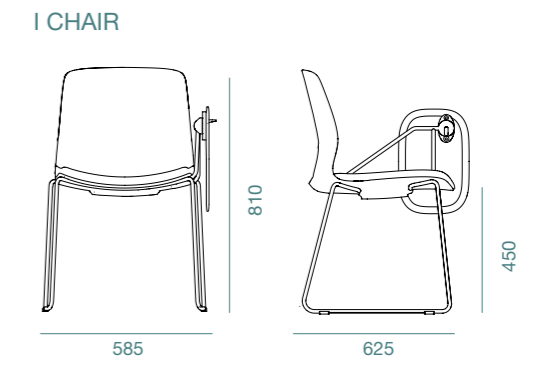
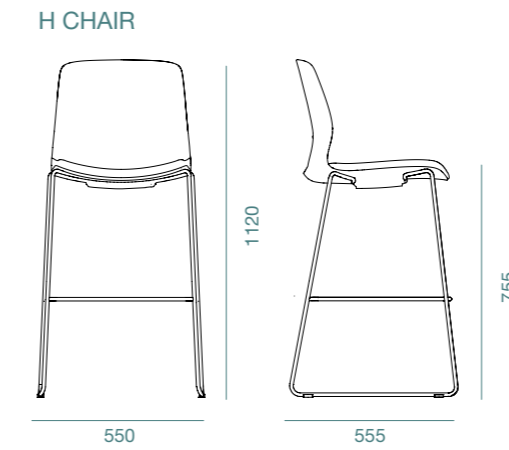
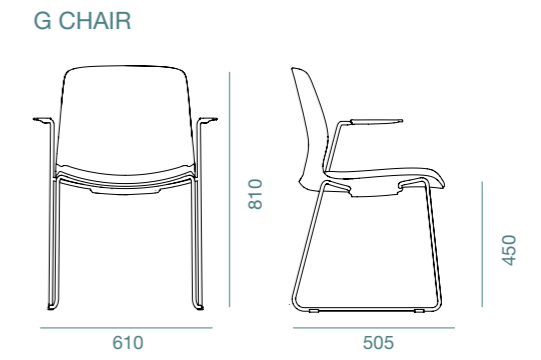
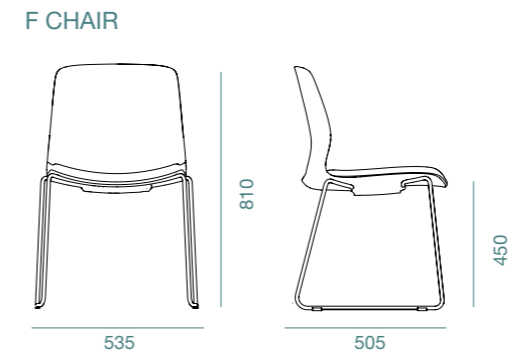
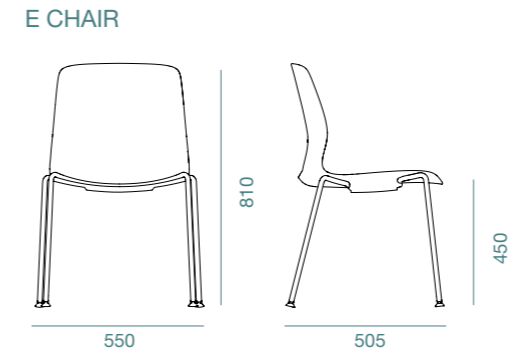
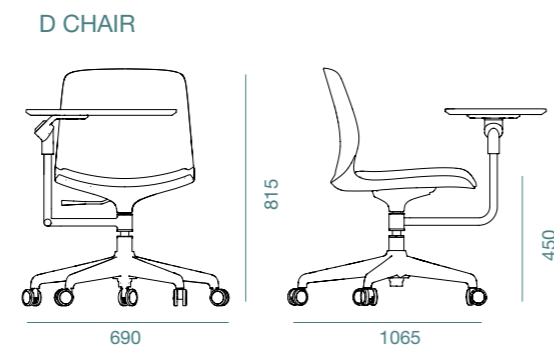
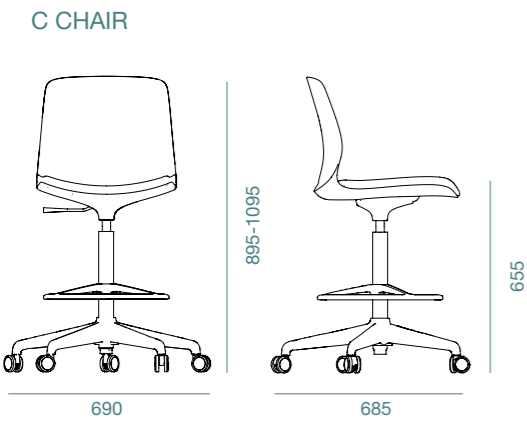
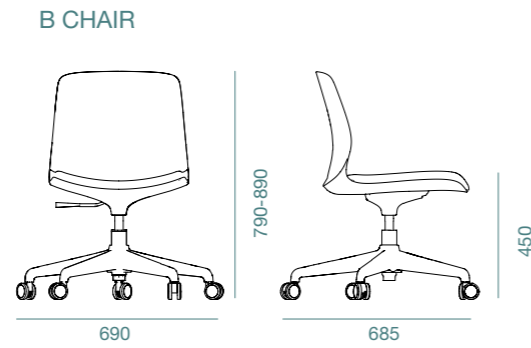
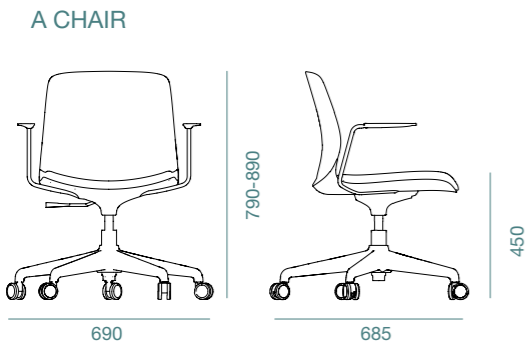


MOSH



MOSH

This multi-purpose chair's rounded shape was inspired by a mushroom; hence the name Mosh. With an array of customisable options, the Mosh helps you create a comfortable and warm environment in various spaces for various needs, whether for focusing, interacting or relaxing.



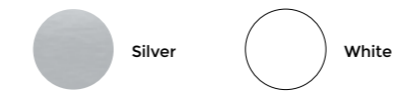
SHELL



TABLET



BASE





WORK
ANYWHERE

2.

Tables

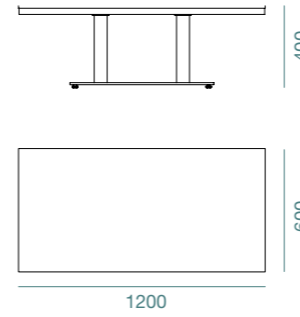
- 112.- GRADIENT
- 114.- QUAD
- 116.- DAUN
- 118.- OTTO
- 122.- T-4
- 121.- E-ZEE

GRADIENT

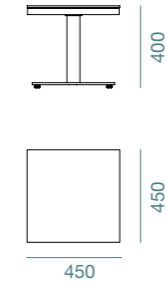


The Gradient collection is a set of all-weather furniture, a contemporary interpretation of traditional wicker weaving. The set is a wonderful showcase of colourful wickerwork.

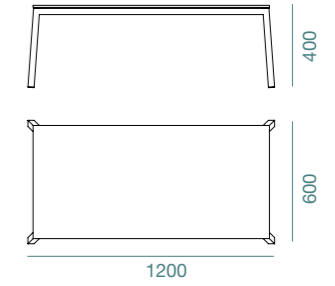
DOUBLE SHAFT
COFFEE TABLE



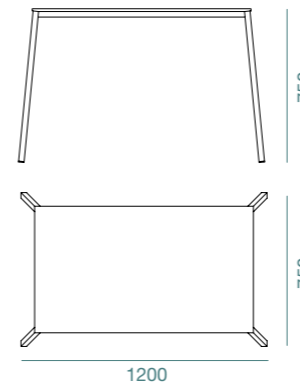
SINGLE SHAFT
SIDE TABLE



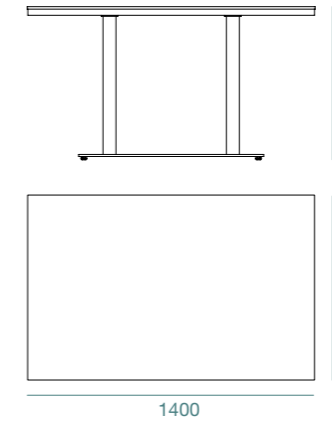
COFFEE TABLE



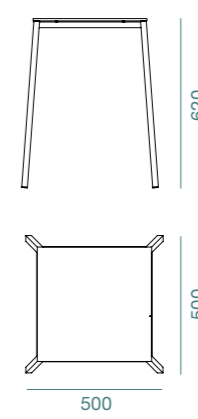
DINING TABLE



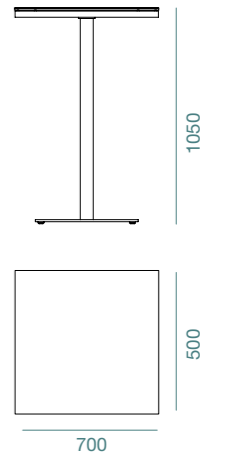
DOUBLE SHAFT
DINING TABLE



TEA TABLE



BARTABLE



POWER COATED STEEL



HPL TOP

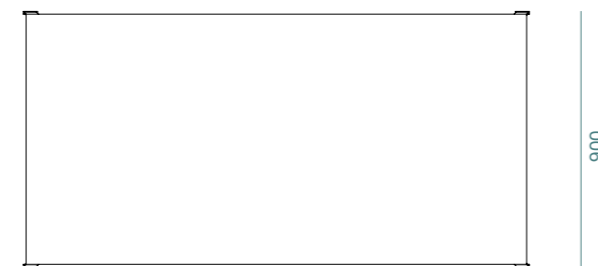
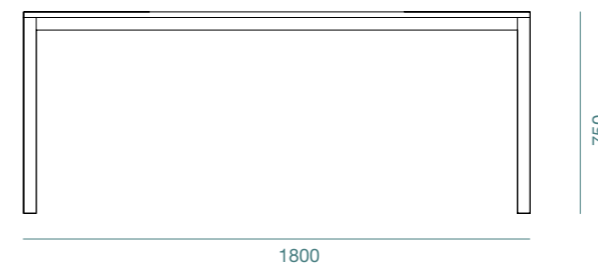


QUAD

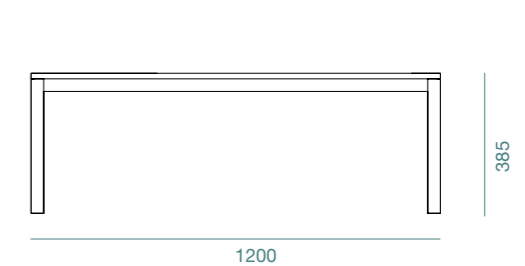
Multi-purpose and versatile, the Quad was designed to easily adapt to any size and function. The table legs were meticulously studied in detail to give it the best strength and stability with the use of less materials. The Quad comes in varying sizes depending on the length of the crossbars and can be paired with any kind of table top, making the Quad the most universal table in our collection.



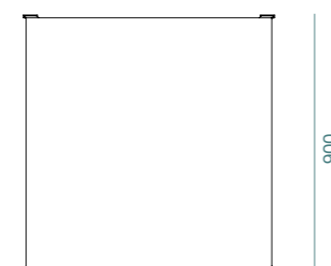
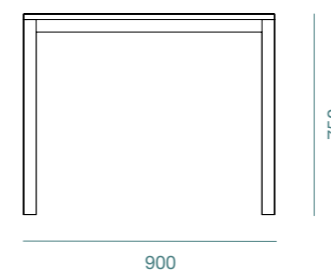
RECTANGULAR TABLE



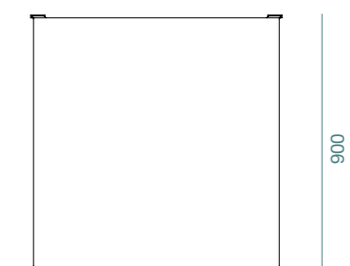
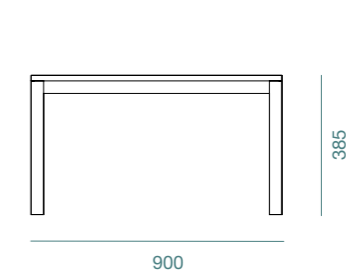
RECTANGULAR CENTRE TABLE



SQUARE TABLE



SQUARE CENTRE TABLE



POWER COATED STEEL



HPL TOP



GLASS TOP



VENEER TOP

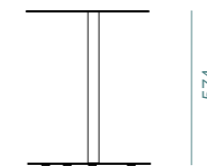


DAUN

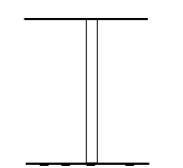
The design of this quaint table top was inspired by the shape of a leaf. Hence, the name Daun, meaning leaf in the Malay language. Small and easily manoeuvrable, the Daun is perfect to be paired with sofas in public areas or workspaces. You can even combine two Dauns together to give yourself a conveniently bigger table space. When not in use or the need for more space arises, the Daun can be neatly kept by pushing it into the sofa.



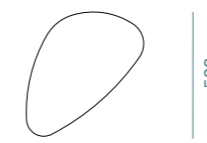
TABLE



574

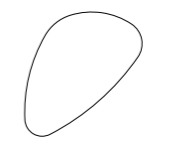


564



538

316



538

316

POWER COATED STEEL



Black



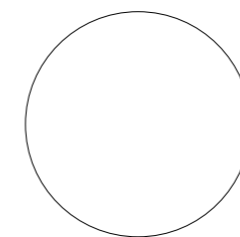
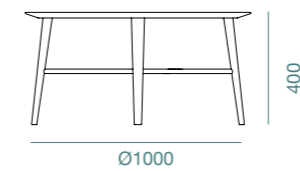
White

OTTO

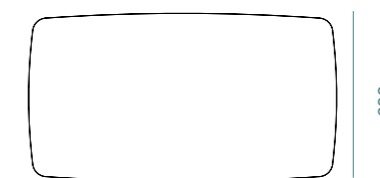
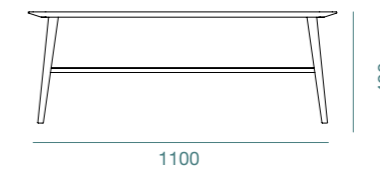
The novel use of a punched aluminium sheet as the stable frame of the Otto's open shelf singles out this table as one that bucks traditional trends. The frame supports a shelf of either webbing or textylene (Batyline). Combined with a choice of compact, veneered, high-pressure laminated or even a glass top, the Otto coffee table is all set to be used both indoors and outdoors.



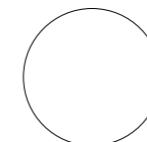
ROUND LARGE SIDE TABLE



COFFEE TABLE



ROUND SIDE TABLE



VENEER TOP



SOLID WOOD



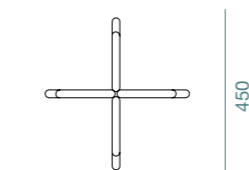
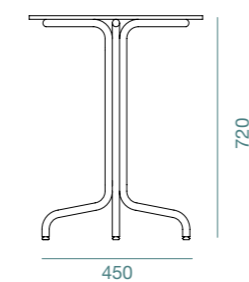


T-4

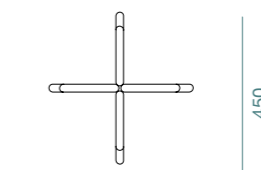
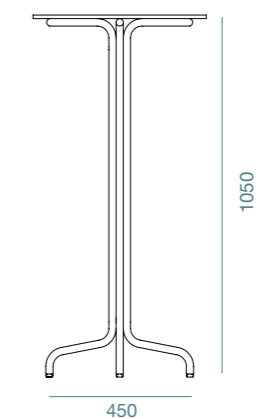
An air of lightness surrounds the T-4. This easily manoeuvrable table base is made up of slim steel tubes that have been conjoined together to give it a strong and durable structure. Pair it with our choices of tabletops that suit the style of your workspace, and the reliable T-4 will blend right in.



T-4 TABLE BASE



T-4 BAR TABLE BASE



HPL TOP



POWDER COATED STEEL



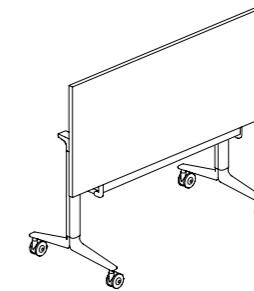
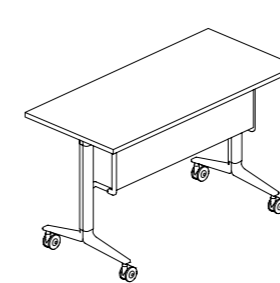
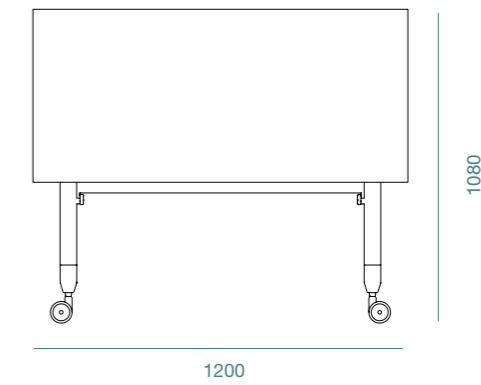
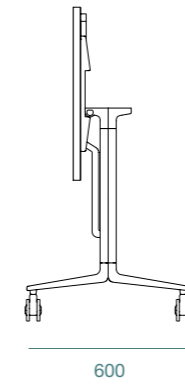
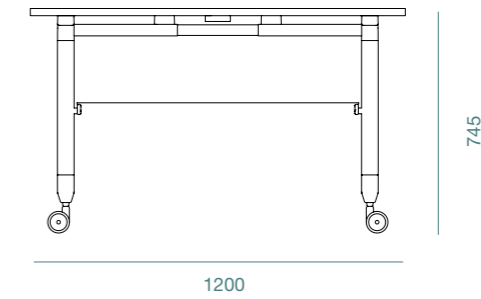
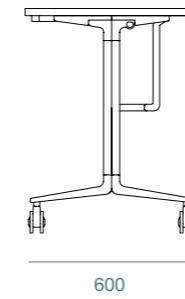


E-ZEE

The versatile E-ZEE is an all-purpose table that is quickly adaptable to suit your space and needs. This modern reinterpretation of a traditional folding table features an aluminium frame that is not only visually attractive and structurally durable, but also 90% recyclable. The tabletop can be folded upright for easy storage, and comes with lockable 360° swivel wheel casters.



E-ZEE TABLE



MFC TOP



White



Grey



Rochelle White



Marinus Walnut

FRAME



Black



White



Silver



WORK
ANYWHERE

3. Sofas

130. - MOSAICO

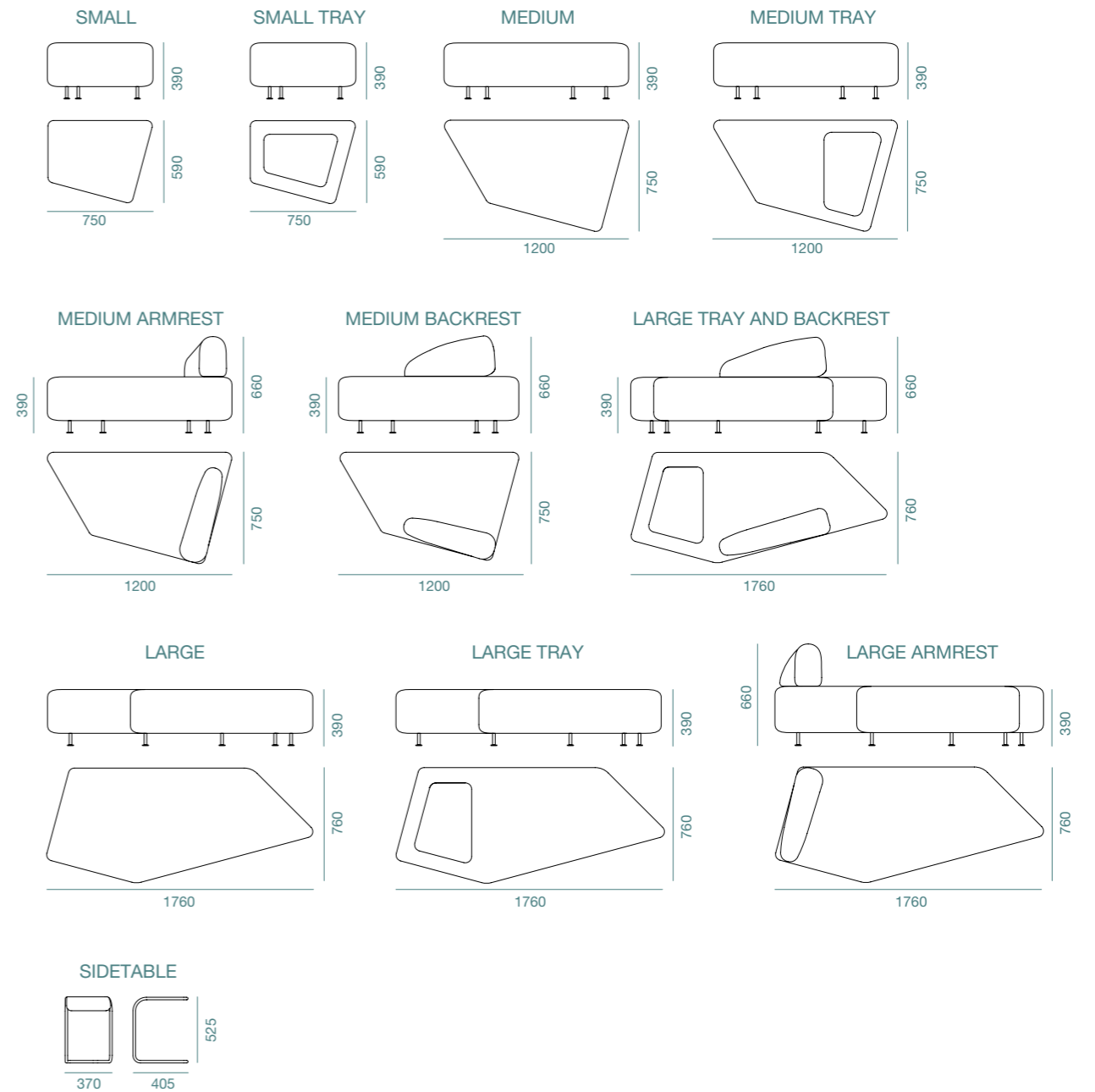
134. - LAI

136. - AMADEUS

138. - BOBLE

MOSAICO

Every public space has its own constraints and needs. The modular Mosaico collection admirably meets those needs with its attractive and versatile design. Have fun pairing, joining and positioning variously shaped and sized sofas, backrests, small trays/writing table, colours and textures. The possible combinations of just a few pieces of furniture seem almost limitless. The Mosaico collection is a natural choice for the public spaces in malls, student campuses and workspaces.



POWDER COATED STEEL



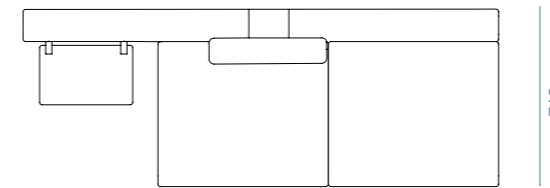
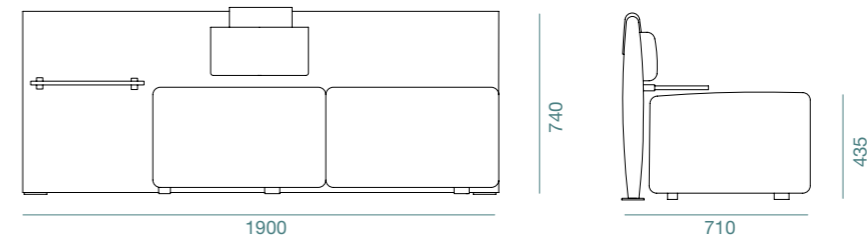


LAI

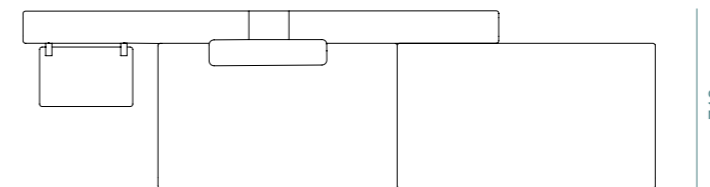
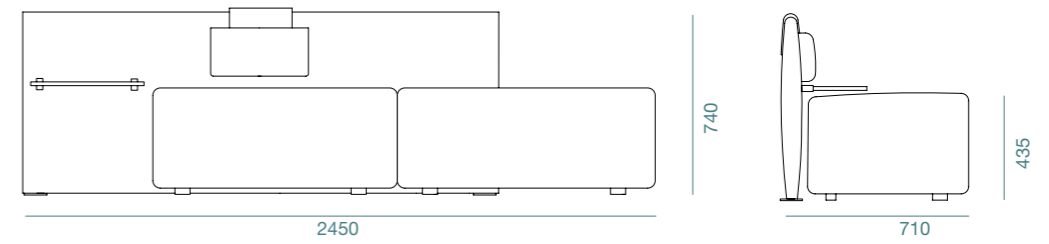
Imagine being able to change at any time the location of the backrest, the seat, the side table, and even the headrest of your furniture, and have it all still look good. Do it with the Lai, a fully upholstered lounge set which can be combined in countless ways to adapt to any indoor environment.



2-SEATER LOUNGE



4-SEATER LOUNGE



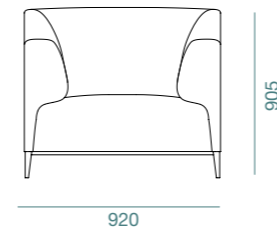
VENEER SIDE TABLE



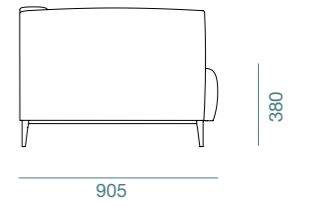
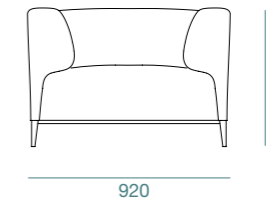
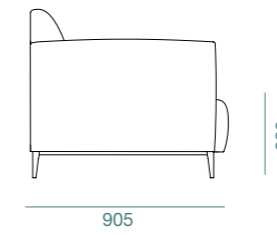
AMADEUS

Relaxing in the office is no longer just a desire, but a necessary value in new working lifestyles and modern workspaces. With the Amadeus, an indisputable comfort comes from its massively plush volumes that are ever so softly suspended from a delicate structure. Inspired by the simple concepts and shapes of German masters from the early 20th century, the Amadeus is truly a revised classic that introduces all-purpose comfort to any workspace.

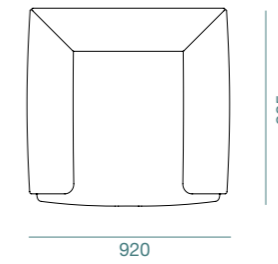
HIGH BACK



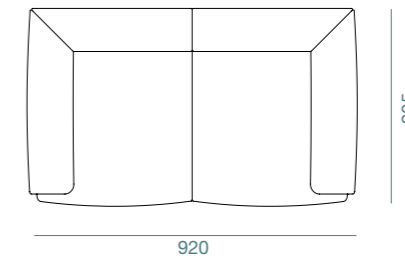
LOW BACK



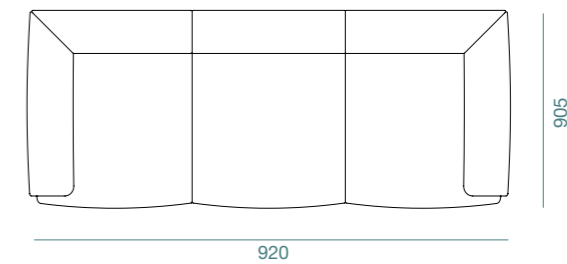
1-SEATER LOUNGE



2-SEATER LOUNGE



3-SEATER LOUNGE



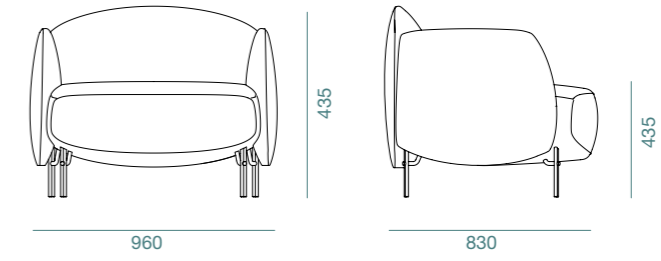
POWDER COATED STEEL



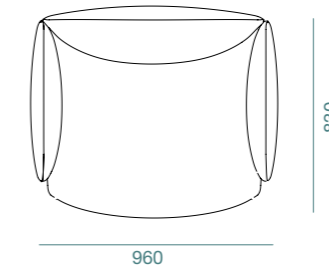
Black

BOBLE

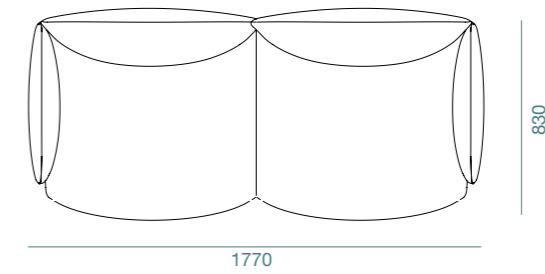
Taking a lesson from history, the Boble finds its inspiration in ancient architecture that so valued curved and rounded designs. With its significant shapes and memorable character, the Boble offers great balance in softness and comfort. At the same time, its versatility makes this new design a perfect fit for workspaces, hotels, shopping malls and restaurants, allowing this modern expression of ancient architecture to be enjoyed almost anywhere.



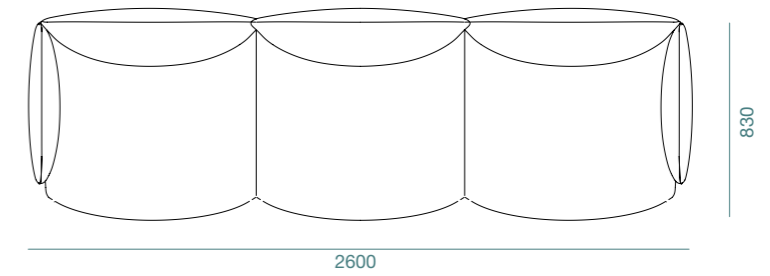
1-SEATER LOUNGE



2-SEATER LOUNGE



3-SEATER LOUNGE



POWDER COATED STEEL



Black





WORK
ANYWHERE

4. Systems

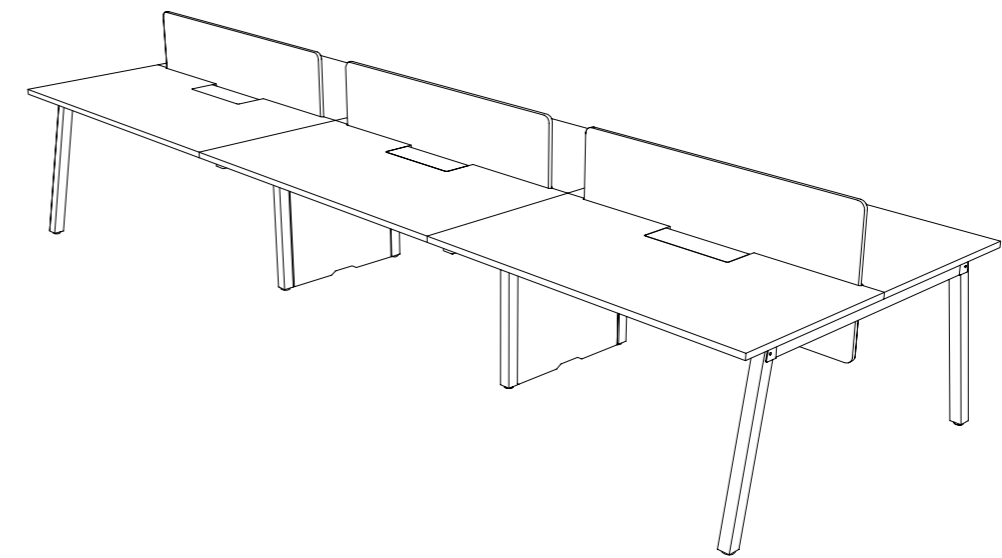
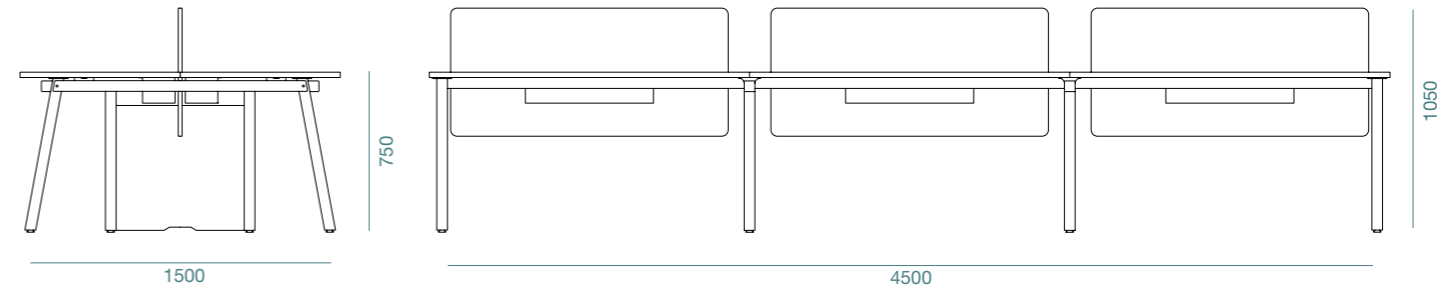
- 144.- SALIENT STEEL
- 146.- SALIENT TIMBER
- 148.- KEEN
- 150.- LINK 13
- 152.- EASE

SALIENT STEEL

Liven up the atmosphere and bring an element of fun to the workspace with the two-tone look of the Salient Steel Collection. This modern design lets you choose from a variety of colour options to match the mood and environment of your business. This collection is easy to assemble and comes with an integrated wire management system.



SALIENT STEEL - LINEAR FACE-TO-FACE 6 PAX



POWDER COATED STEEL



MFC TOP

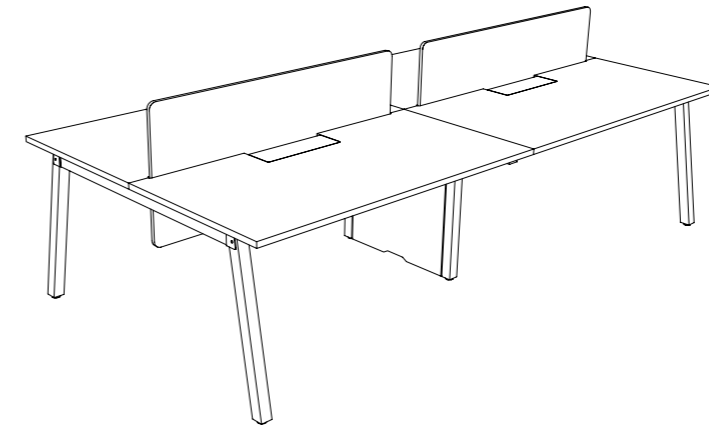
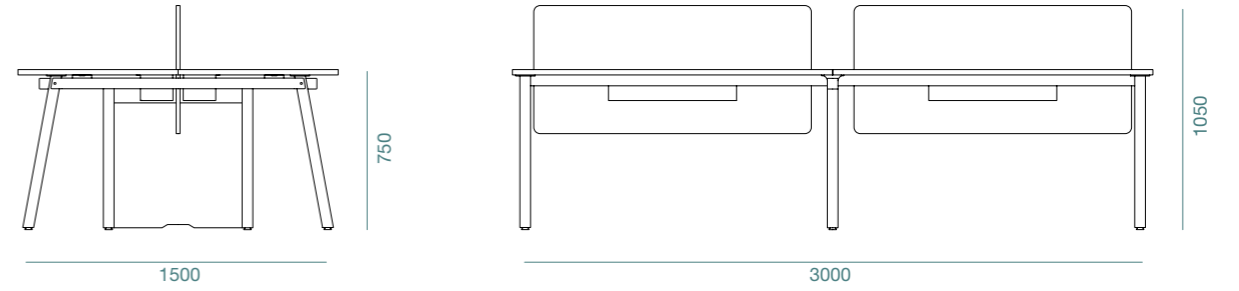


SALIENT TIMBER

Return to nature with the Salient Timber Collection's harmonious combination of wood, steel and earthy colours. This set softens any setting with its Biophilic design, introducing a sense of comfort and homeliness to the workspace. This collection is easy to assemble and comes with an integrated wire management system.



SALIENT TIMBER - LINEAR FACE-TO-FACE 2 PAX



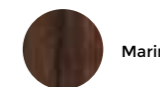
SOLID WOOD



POWDER COATED STEEL



MFC TOP

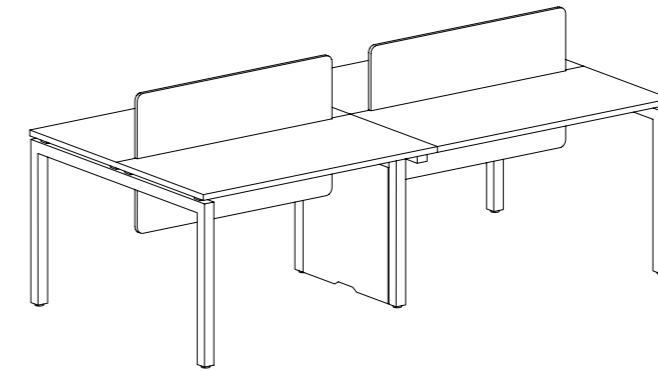
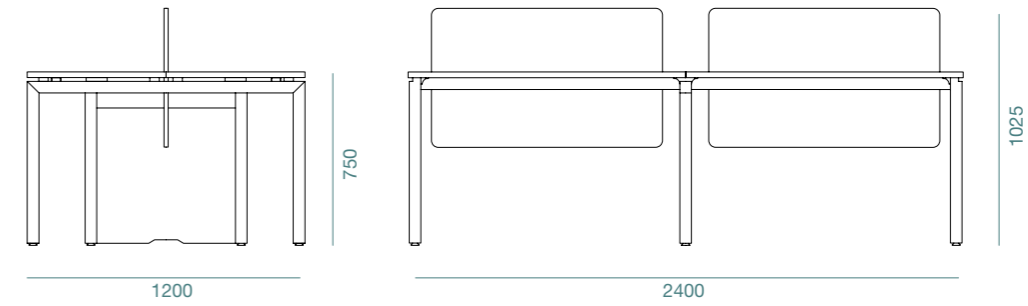


KEEN

A clean and sharp design for those who are keen on completing their tasks with precision. The Keen utilises an easy to assemble setup with a sturdy steel structure and features a fully integrated wire management system. Pair the set with additional storage facilities to keep the workspace organised.



KEEN - LINEAR FACE-TO-FACE 4 PAX



POWDER COATED STEEL



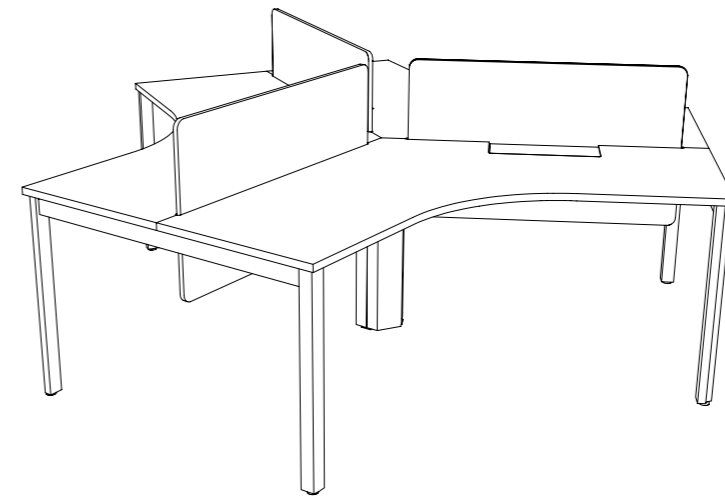
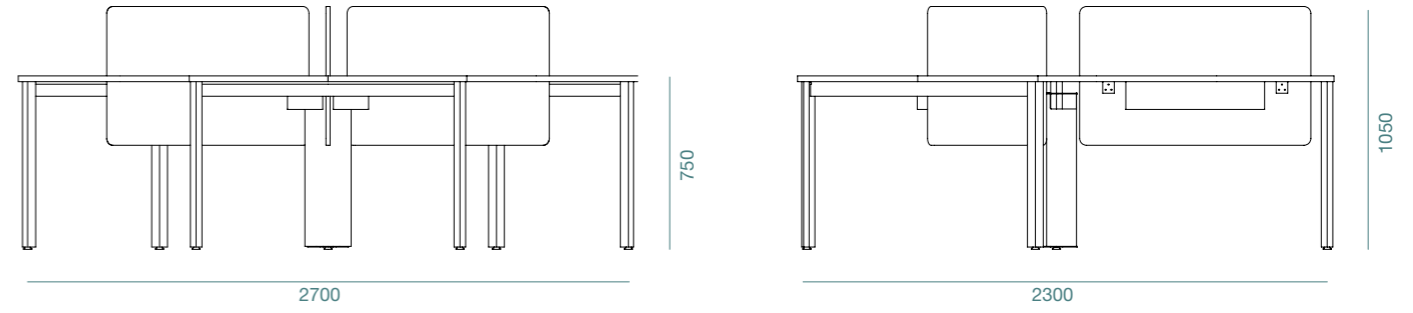
MFC TOP



LINK 13

Simplicity in its most elegant form, the Link 13 is a fully aluminium set that exudes a classic and timeless outlook. With durability as its strongest feature, the Link 13 has clean configurations and comes with a fully closed and integrated wire management system. It also allows for accessible storage space that can be added on to complement the set.

LINK 13 - 120 DEGREE - 3 PAX



POWDER COATED STEEL



MFC TOP

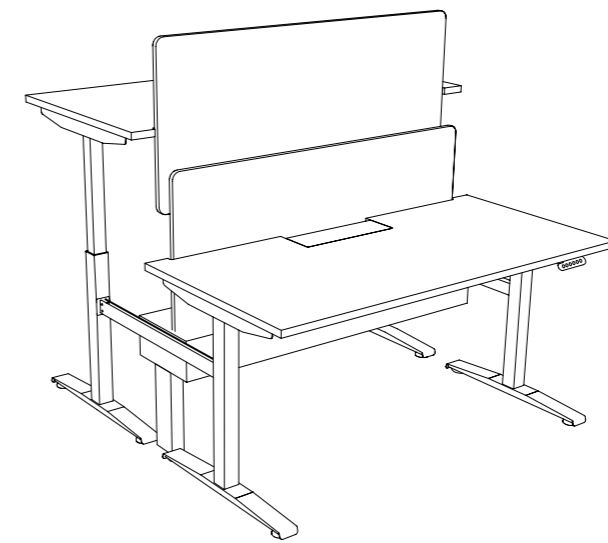
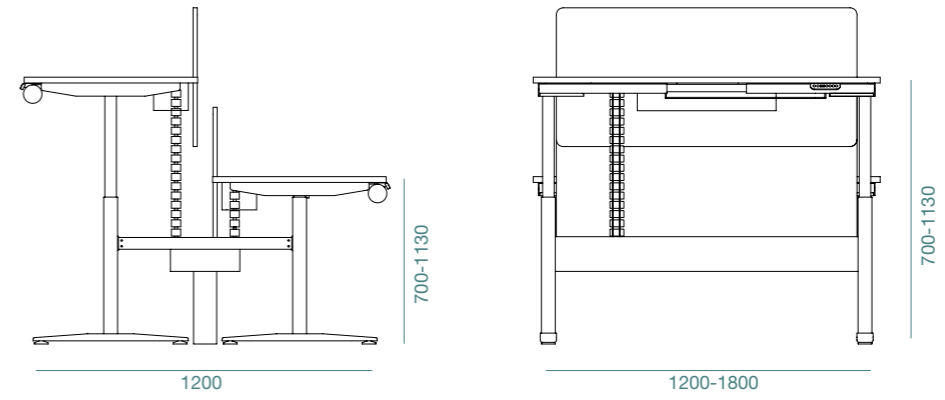


EASE

For the technologically savvy, the Ease is our ideal solution for incorporating health and technology into the workspace. This smart table allows for flexible working with its 4-memory height-adjustable setting that eases the user from a sitting to standing position, which has a positive impact on posture and increases productivity. The Ease comes with a neat wire management system and is perfect for multiple types of work.



EASE - LINEAR FACE TO FACE 2 PAX



POWDER COATED STEEL



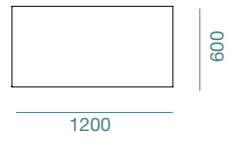
MFC TOP





SYSTEM SERIES

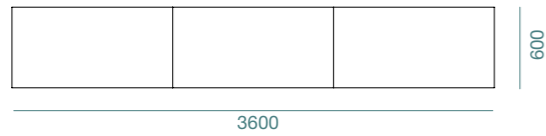
LINEAR SIDE BY SIDE - 1 PAX



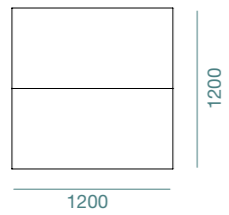
LINEAR SIDE BY SIDE - 2 PAX



LINEAR SIDE BY SIDE - 3 PAX



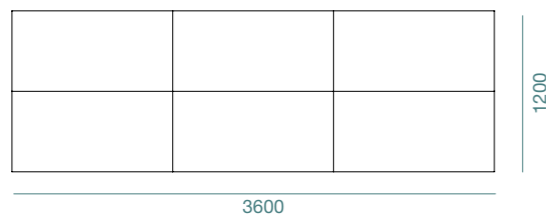
LINEAR FACE-TO-FACE - 2 PAX



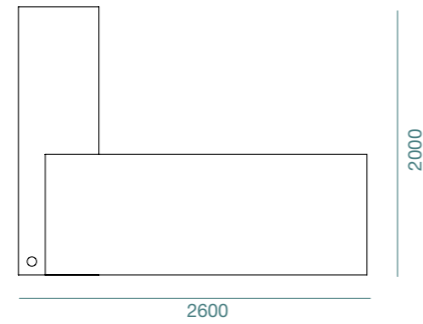
LINEAR FACE-TO-FACE - 4 PAX



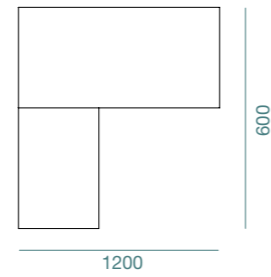
LINEAR FACE-TO-FACE - 6 PAX



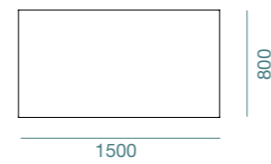
MANAGER DESK - SIT-ON CABINET



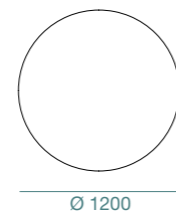
MANAGER DESK - L SHAPE



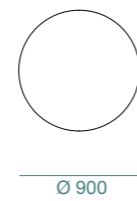
MANAGER DESK - SINGLE



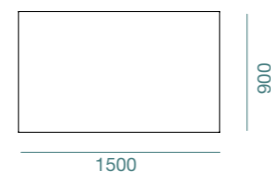
DISCUSSION - ROUND 1200



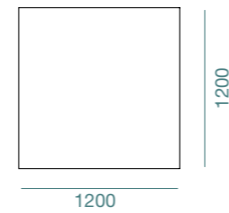
DISCUSSION - ROUND 900



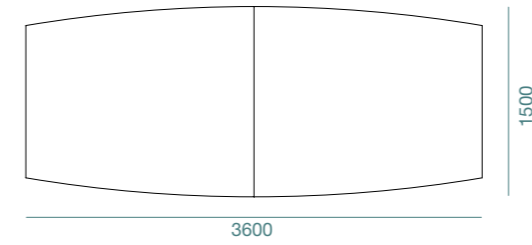
DISCUSSION - SQUARE 1500



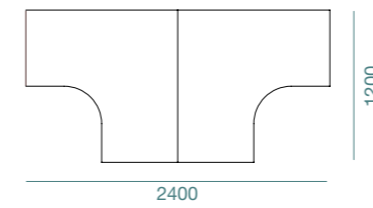
DISCUSSION - SQUARE 1200



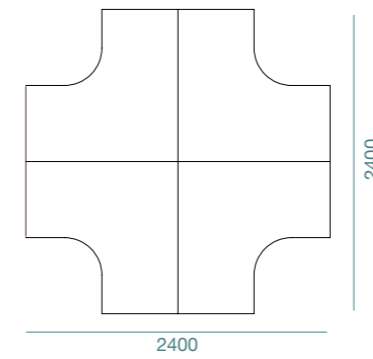
CONFERENCE - BOAT SHAPE



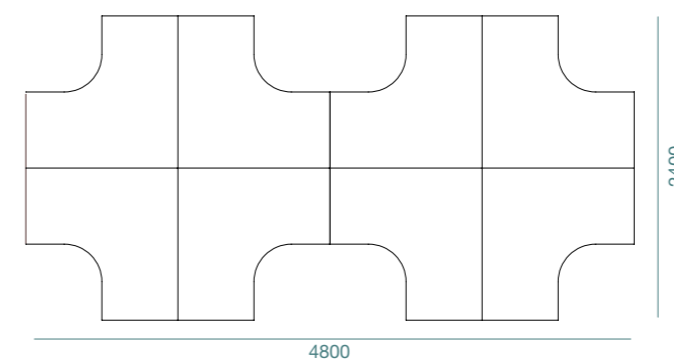
L-SHAPED - 2 PAX



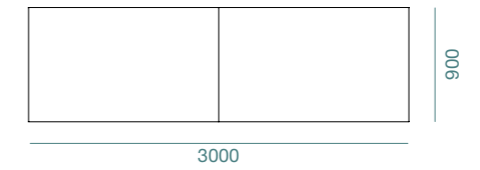
L-SHAPED - 4 PAX



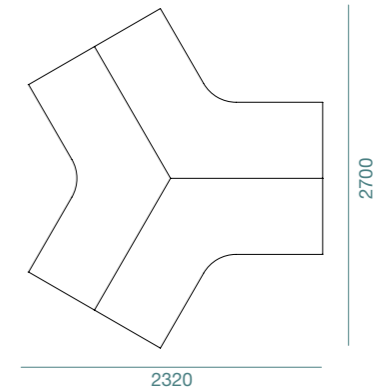
L-SHAPED - 8 PAX



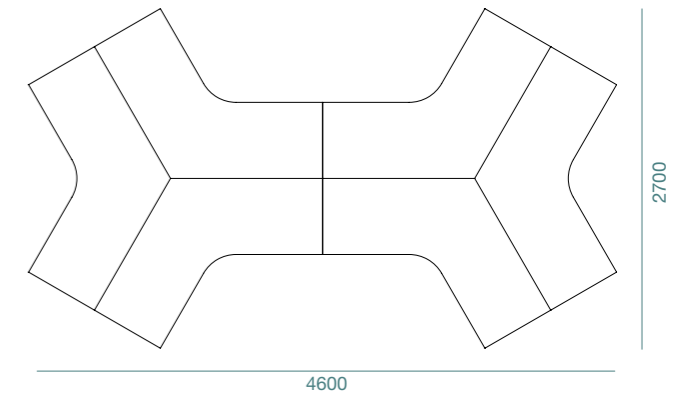
CONFERENCE - RECTANGULAR



120 DEGREE - 3 PAX



120 DEGREE - 6 PAX





WORK
ANYWHERE

5. Partitions

160.- LINK 5H

162.- LINK 6H

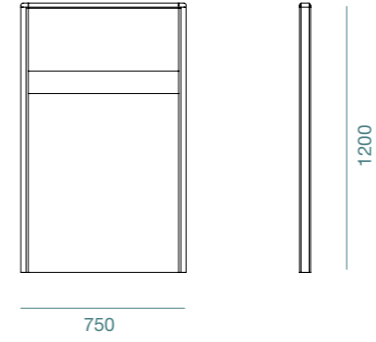
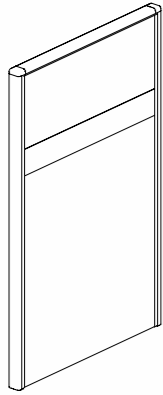
164.- PLAY ARC

168.- PLAY MOOD

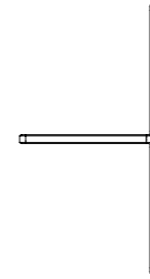
172.- PEAK

LINK 5H

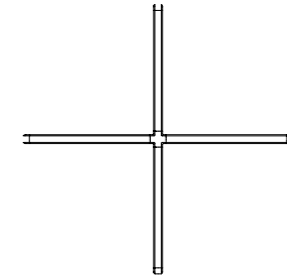
A simple, yet effective option to organise your workspace. The Link 5H is comprised of partition panels that come in various finishings to suit the look of your space. Fixed together in a block system, the Link 5H is a good choice for dividing up workstations or open spaces.



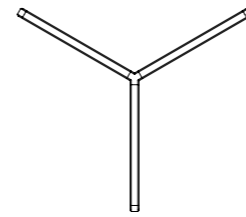
LINK 5H (L800 X H1200) - 3 WAY JOINT



LINK 5H (L800 X H1200) - 4 WAY JOINT



LINK 5H (L800 X H1200) - 120DEGREE JOINT



LINK 5H (L800 X H1200) - 90DEGREE JOINT



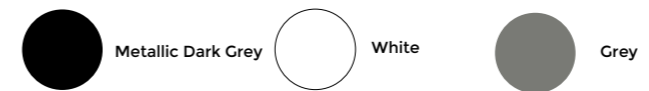
LINK 5H (L800 X H1200) - CENTER JOINT



LINK 5H (L800 X H1200) - SINGLE (WITHOUT END CAP)



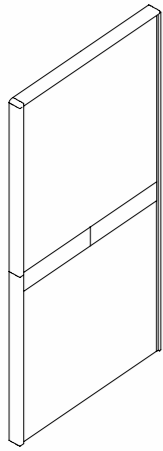
POWDER COATED STEEL



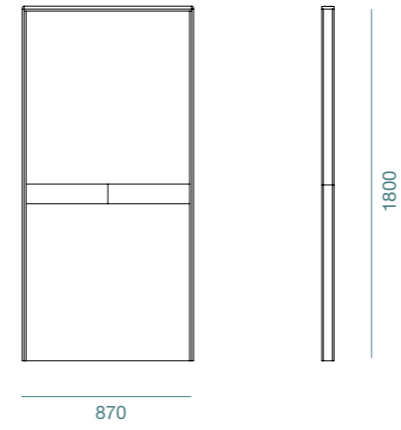
MFC PANEL



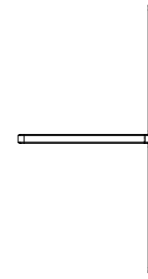
LINK 6H



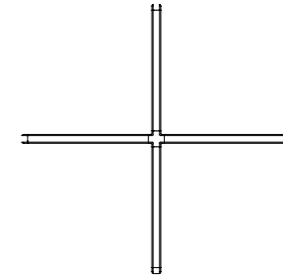
The Link 6H comes equipped with the same attractive qualities as the Link 5H, but with added features. The partition panels are slightly thicker and come in a tile system, where each tile can be interchanged to keep your workspace looking fresh.



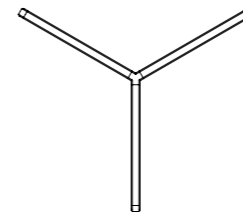
LINK 6H (L900 X H1800) - 3 WAY JOINT



LINK 6H (L900 X H1800) - 4 WAY JOINT



LINK 6H (L900 X H1800) - 120DEGREE JOINT



LINK 6H (L900 X H1800) - 90DEGREE JOINT



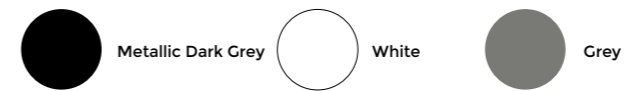
LINK 6H (L900 X H1800) - CENTER JOINT



LINK 6H (L900 X H1800) - SINGLE (WITHOUT END CAP)



POWDER COATED STEEL



MFC PANEL

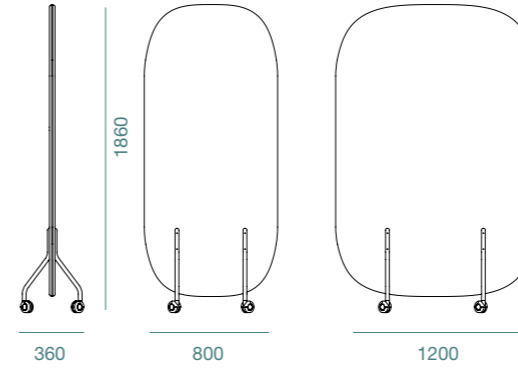


PLAY ARC

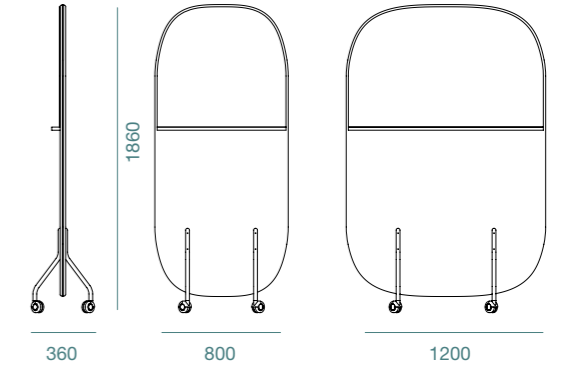
Play around and discover the many possible combinations of the Arc. Consisting of four sound-absorbing panels and three metal frames, mix, match, and place the Arc in the desired area to partition your workspace in a new and exciting way. No need to go through the hassle of building up or knocking down walls, get creative with the Arc and easily arrange it to suit your needs.



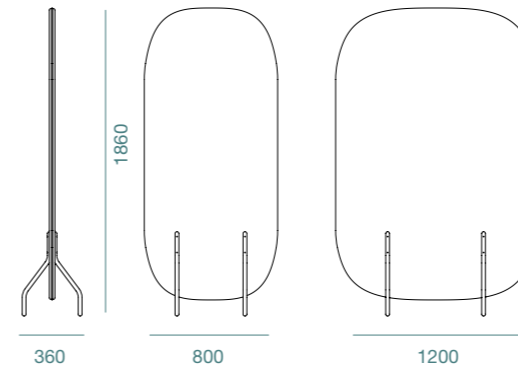
DIVIDER WHEELS



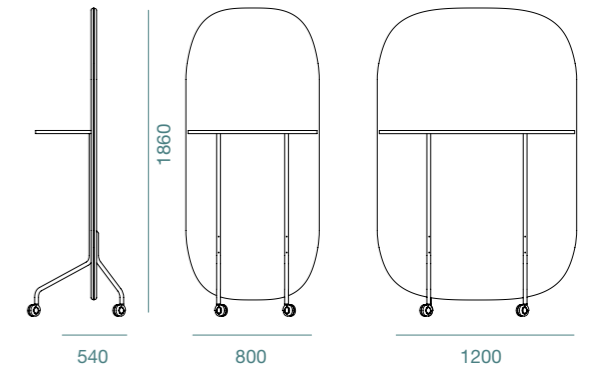
DIVIDER WHITE BOARD



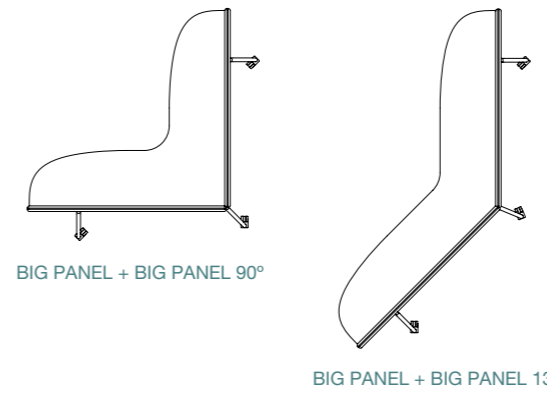
DIVIDER FIXED



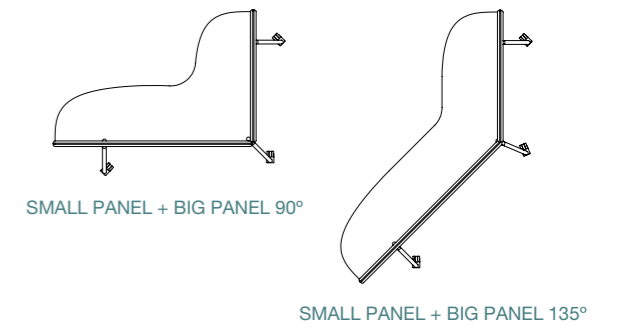
DIVIDER SHELF



COMBINED SHELF



COMBINED SHELF



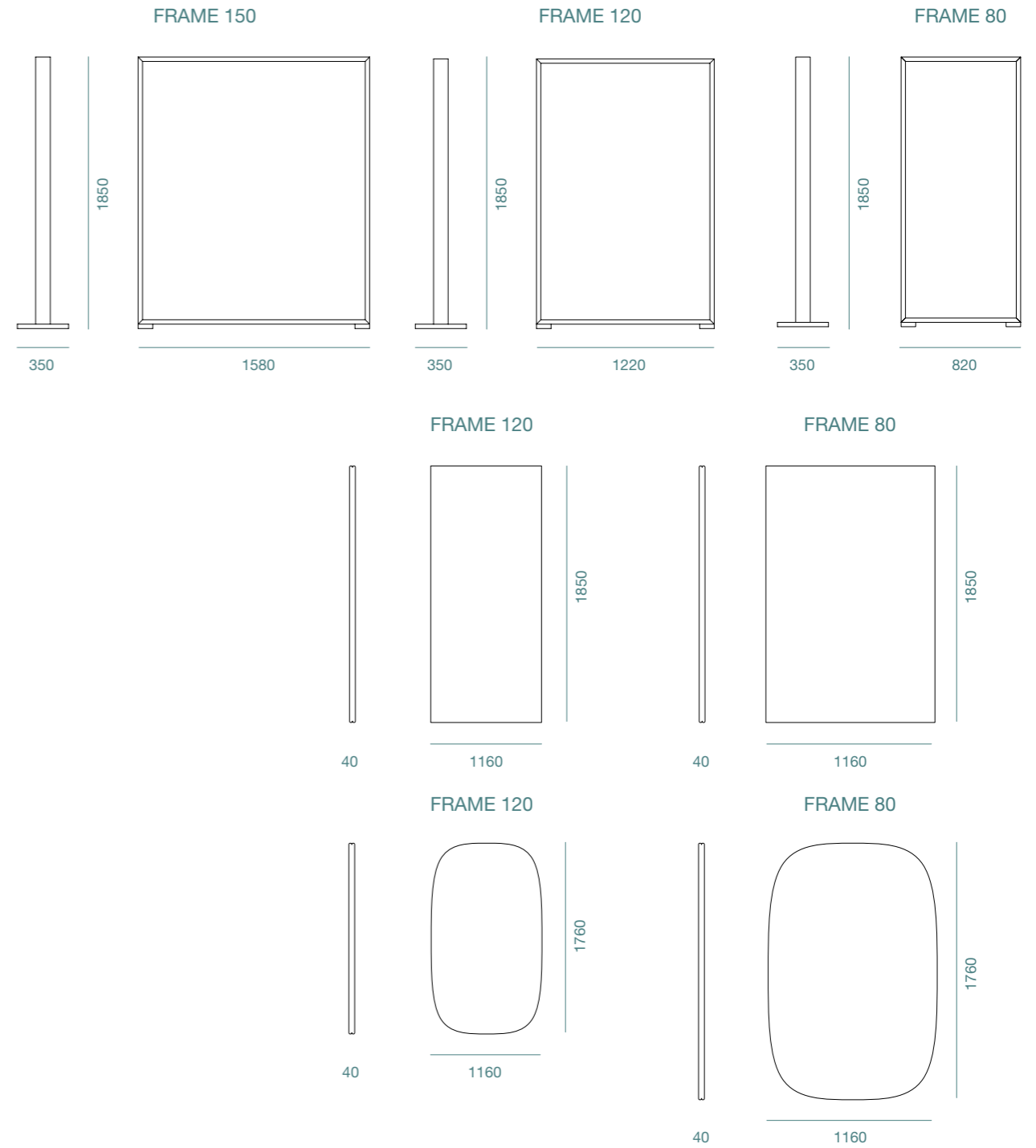
POWDER COATED STEEL





PLAY MOOD

Play around and create the perfect Mood for your workspace. Included are two sizes of individual sound-absorbing panels that can be customised to your liking, be it adding a shelf for extra storage or attaching a magnetic white board for on-the-go meetings. The Mood comes fitted with legs to be in a fixed spot, or with wheels to make it mobile. Two or more panels can also be combined with a zipper, letting you create flexible and versatile spaces, separated by friendly, slender and rounded figures.



POWDER COATED STEEL





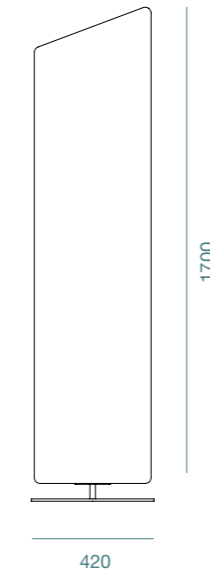
PEAK DIVIDER PANEL

The Peak is a creative partition that adds a dash of contemporary spice to any workspace. Uniquely angled at the top, combining the various sizes of the Peak give off the illusion of an awe-inspiring mountainous range. And that's not all, each panel can be individually rotated to transform a closed space into an open space, and vice versa.

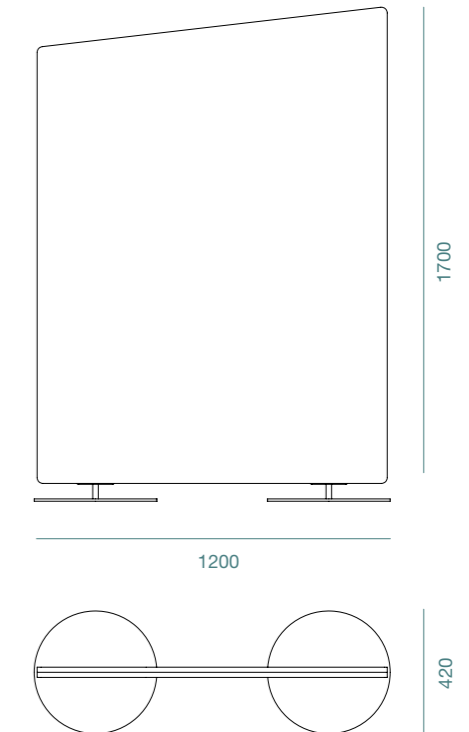
PEAK LOW



PEAK HIGH



PEAK WIDE



POWDER COATED STEEL





WORK
ANYWHERE

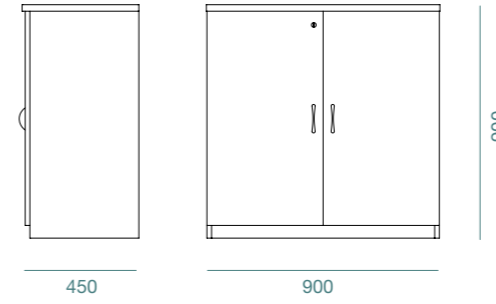
6. Storage

- 176.- STORAGES
- 178.- WINDOW

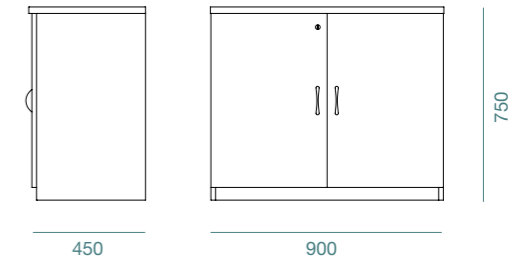
STORAGES

An essential need for all workspaces. Keep your space organised and clean with our selection of storage facilities. Available in multiple designs and sizes to satisfy various uses and working environments.

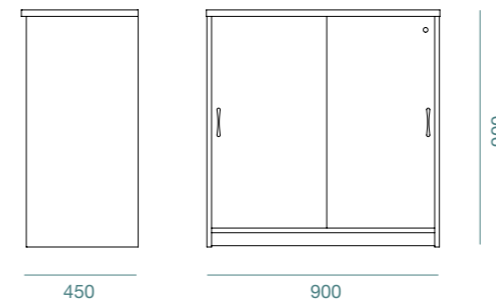
SWING DOOR CABINET



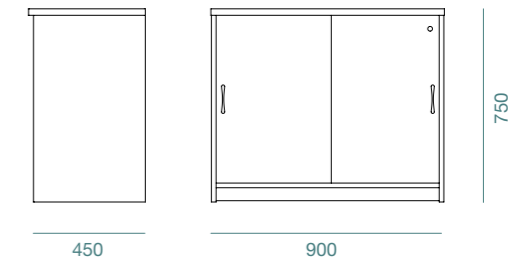
SWING DOOR CABINET



SLIDING DOOR CABINET



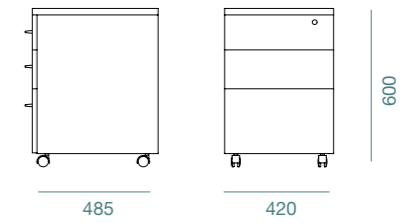
SLIDING DOOR CABINET



MOBILE PEDESTAL
(WITH DRAWER HANDLE)



MOBILE PEDESTAL
(SIDE PULL DRAWER)



MFC PANEL



WINDOW MODULAR CABINET

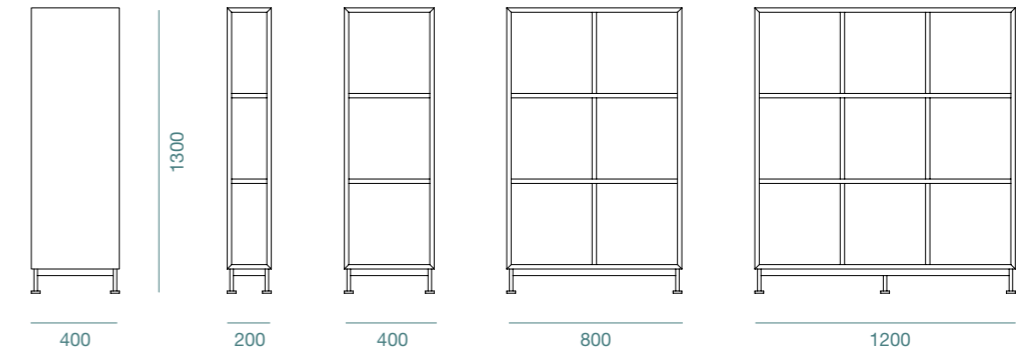
With the concept of work constantly changing and the rising need for versatility in offices, the Window is the perfect solution for creating an organised, efficient and visually pleasing workspace, which has been proven to increase productivity.

- Functions as both a room divider as well as a highly customisable storage facility
- Perfect for partitioning large open spaces and promoting order
- Utilises the clean design of plywood and leather to add a distinguished look to any space
- Choose from a large selection of accessories such as drawers, perforated metal sheets, white boards, side tables and pouffes to fulfil your working needs and wishes.
- Comes with the option of metal legs for a more permanent fixture, or with wheels that allow you to mould your space to your day-to-day needs.

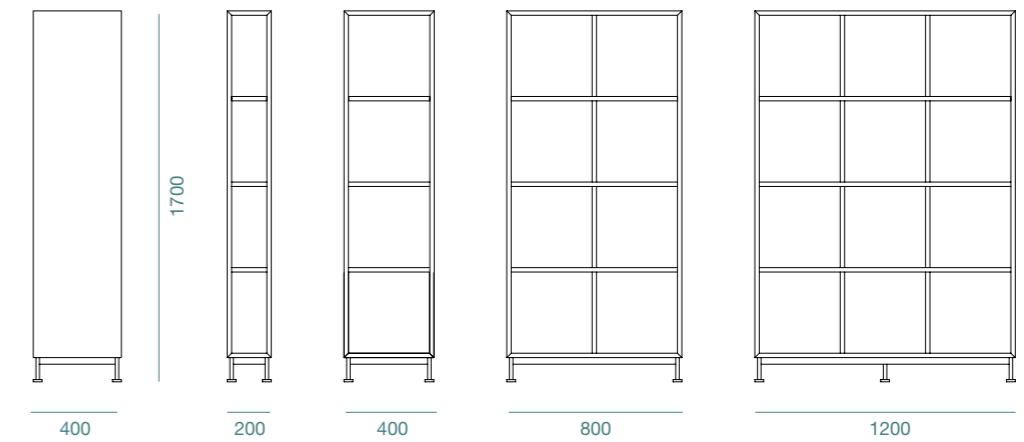
The possibilities are endless with the Window.



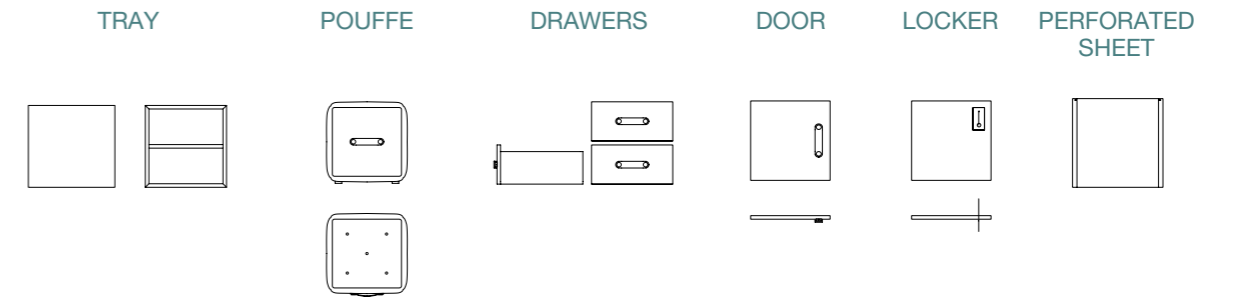
CABINET 130



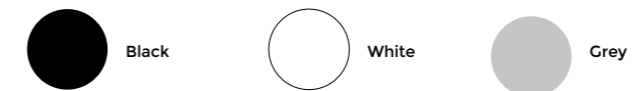
CABINET 170



ACCESORIES



POWDER COATED STEEL



PANEL







WORK
ANYWHERE

7.

Work Sofa

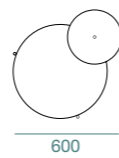
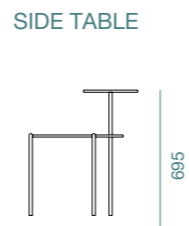
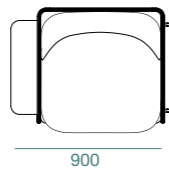
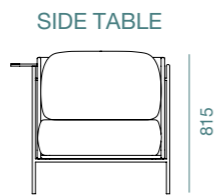
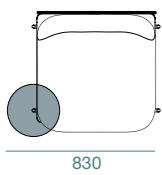
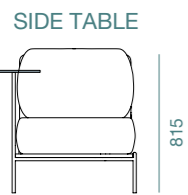
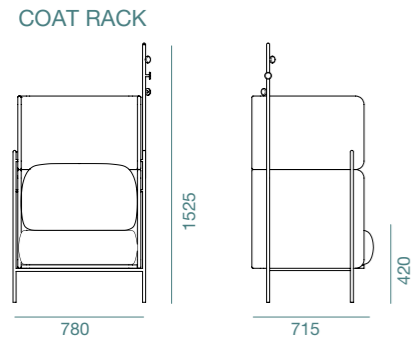
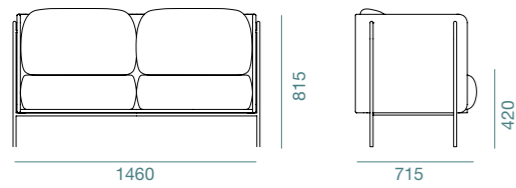
184.- FLEXX

FLEXX SYSTEM

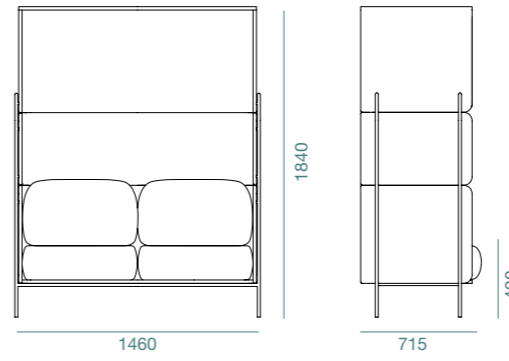


FLEXX SYSTEM

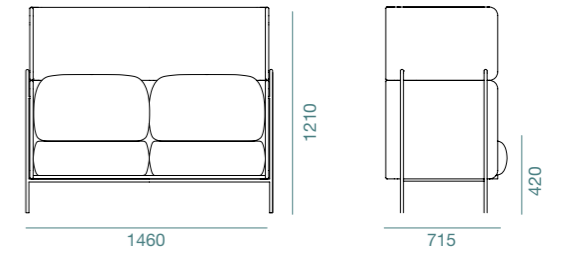
Like piecing together a puzzle, the modular and versatile Flexx is an all-purpose seating concept. Build an endless number of combinations that vary depending on your wants and needs. From giving you privacy to facilitating meetings, or even just for rest and relaxation, the attractive and elegant Flexx can adapt itself to every single need and use. You can even add on extra accessories such as coat hangers.



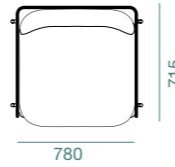
ROOF MODULE



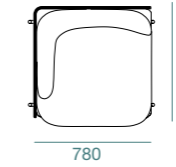
HIGH MODULE



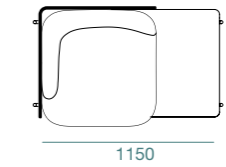
ARMCHAIR



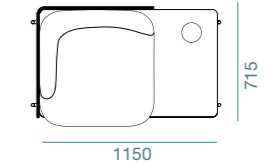
R/L MODULE



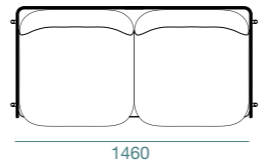
R/L TABLE MODULE



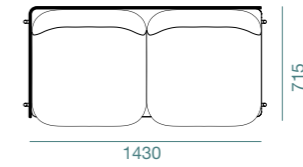
R/L TABLE MODULE



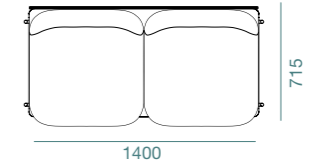
SOFA 2P



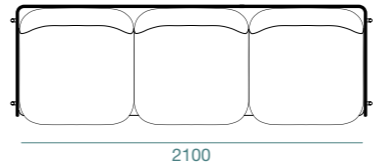
R/L MODULE



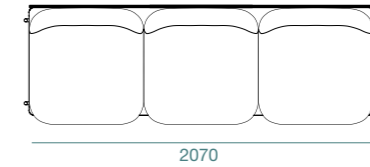
CENTRAL MODULE



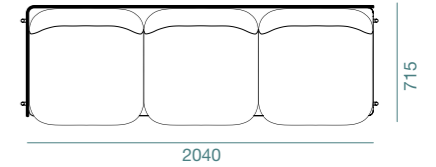
SOFA 3P



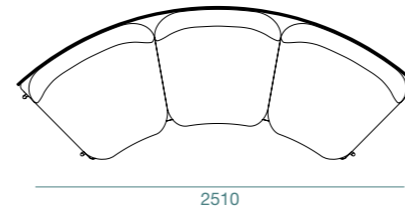
CENTRAL MODULE



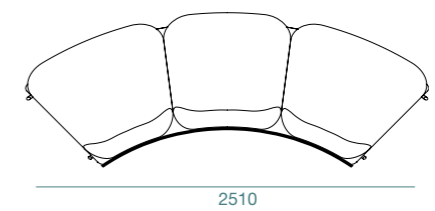
R/L MODULE



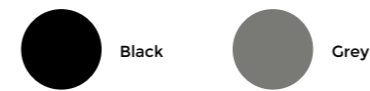
CURVE MODULE



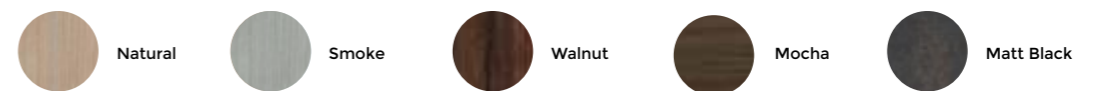
CURVE MODULE



POWDER COATED STEEL



VENEER TABLE/BASE





SUSTAINABILITY

HOW CAN FURNITURE MAKE A SUSTAINABLE DIFFERENCE?

With a growing environmental awareness worldwide, we are making a conscious effort to change and reduce the impact we have on the environment. How can furniture make a sustainable difference?

The most important step to conceive a sustainable approach starts at the very beginning of a product's creation – during the design process. A simple design that uses few, but durable, high-quality materials and requires less energy to produce helps to lay the foundations for a sustainable product. A product that is designed to last and can be reused, recycled or upcycled, achieves the goal of sustainability and reducing waste.

WA is characterised by responsible production that guarantees customers a responsible purchase. Being **sustainable** is a philosophy of life and priority for **WA**. Our furniture collections invite you to experience the joy of the outdoors and nature, and our objective is to do it with designs, materials and production processes that respect the environment surrounding us all.



OPT FOR OP

HOW CAN FURNITURE MAKE A SUSTAINABLE DIFFERENCE?

To ensure a brighter future and a Better World for generations to come, we at KIAN have begun taking sustainable steps in order to help save our planet from pollution and curb this growing epidemic. By partnering ourselves with a fully integrated recycling company in Malaysia, we have succeeded in manufacturing our award-winning designs using sustainable Ocean Plastic (OP).

OP is made of recycled ocean-bound plastics that have been ethically gathered from coastlines around Malaysia. Both of our companies worked closely with each other for months, prototyping multiple iterations to perfect the suitable material pellet formula which was then used to fabricate strong, sturdy and sustainable chairs fit for commercial use.

By giving our customers this sustainable option, we would like to invite you to join us on our journey towards sustainability. Make the change with us for a greener, healthier Mother Earth.



FSC CERTIFIED TIMBER

HOW CAN FURNITURE MAKE A SUSTAINABLE DIFFERENCE?

In KIAN, continuous improvement is one of our values and we are always looking forward and aiming to do better than before. As part of our step towards achieving a Better World, we are now using ' sustainable FSC certified timber to manufacture all our popular KIAN designer timber chairs. The Forest Stewardship Council, or FSC for short, is a global, non-profit organisation dedicated to the promotion of environmentally appropriate, socially beneficial, and economically viable management of the world's forests.

FABRIC STRAIGHT FROM THE OCEAN

HOW CAN FURNITURE MAKE A SUSTAINABLE DIFFERENCE?

We would like to reintroduce recycled ocean-bound plastic, not as a chair but as something new and exciting. Discover the beautiful Ocean Fabric, an aptly named sustainable and eco-friendly fabric range that is woven using fibres made of 100% recycled ocean-bound plastic. Pair it together with our upholstered workspace furniture and develop a business that not only cares about employee well-being, but also the preservation of the environment.



WE ARE HERE TO SERVE

KIAN strives on providing our customers with not only the best products, but also the best furnishing services. We want to make life easier for you when it comes to creating the ideal environment for your workspace.

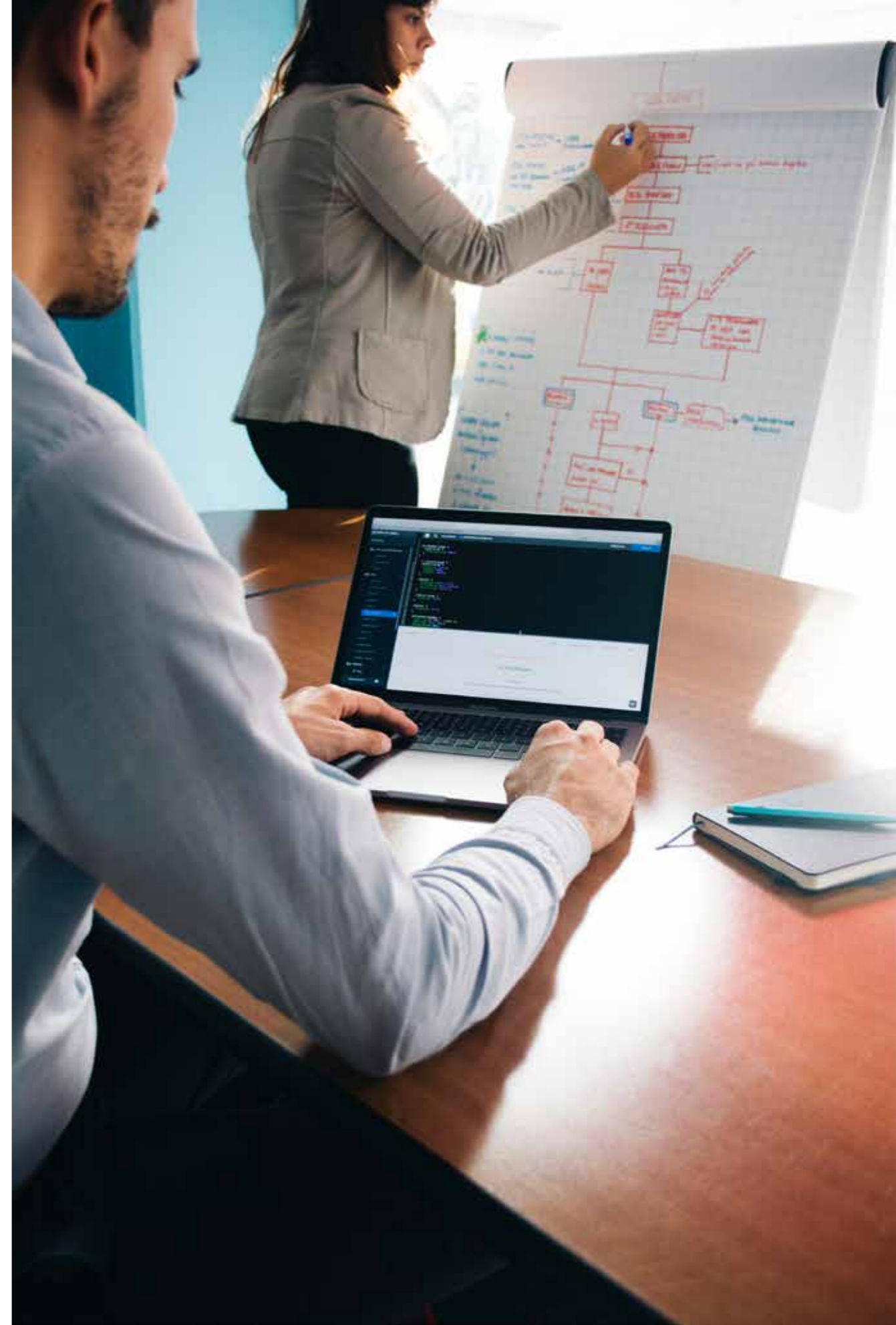


EXPERT CONSULTATION.

Receive comprehensive consultation from our workspace experts on how to transform your business into a unique Activity-Based Workspace. Let us help you choose the perfect furniture to fit your space, and we also provide detailed 3D layouts and floor plans with the furniture suitably plotted in.

PROJECT MANAGEMENT.

A staple that we are proud of at KIAN is our ability to manage any project from the beginning right to the very end. From sourcing to manufacturing to delivery and installation, KIAN does it all for you so that you don't have to. And with our fast turnaround, we ensure that your workspace will be up and running in line with your schedule.



INTELLIGENT SOLUTIONS

KIAN's intelligent solutions include utilising advanced technology, logistics, materials and processes to save on costs, maintenance, time and space. We think ahead for you.



POWER MODULES

Stylish in-desk, fast charging power modules that can be used for a variety of applications. Its sleek and understated design is great for workstations, collaborative spaces, and soft seating areas that require electric power.



WIRELESS CHARGING

13A SOCKET

USB CHARGING

WIRELESS CHARGING

AQUACLEAN

FABRIC MAINTENANCE MADE EASY

Fabric maintenance is easy when your furniture is upholstered with Aquaclean textiles. Aquaclean uses revolutionary fabric technology to form a flexible, invisible molecular layer that prevents dirt from penetrating the fabric. Common stains such as wine, ink, sauce, fat, mud, chocolate and cream can also be cleaned away with just water.

That's not all. A completely smooth Safe Front Hygiene Protector layer protects the fabric against scratching as well as accidental snagging by sharp objects. It also combats mildew, bacteria and mites which can cause allergies. Enjoy a healthier, more hygienic workspace with Aquaclean.

Aquaclean is PFC-free and 100% fire-retardant.

- Quick & simple fabric maintenance
- Clean with just water
- Protects against scratching & snagging
- Combats mildew, bacteria and mites
- Healthier & more hygienic
- PFC-free & 100% fire-retardant



STABILLA

SIGMA - S10 TABLE BASE

Stabilla by KIAN introduces an affordable table base that eliminates wobbly tables with proven self-stabilising technology. The Sigma S10 emanates a sleek appeal with its satin black finish, making it perfect for various market segments. This trustworthy product has been tested to European Standards (EN 15372:2008) for safety, strength and durability, and comes with 24 months warranty.

Also available as a bar table base



Height: 720mm / 1020mm

Base Span: 660mm

Base Spread: 470mm

Leg Adjustability Range: 10mm

Weight: 11.0kg

Top Plate: 300mm Plate

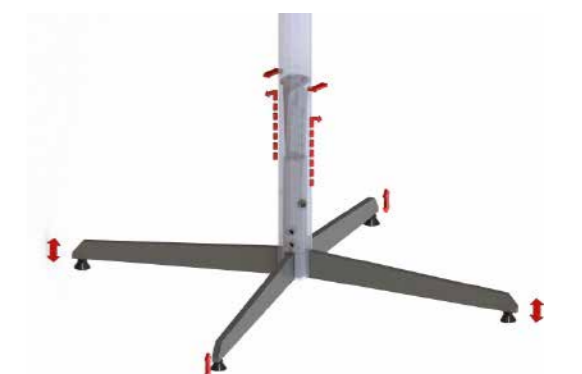
Material/Finish: Solid Steel, Powder Coat Finish, Optional Zinc Plating

Max Tabletop Size: 720mm (H): 850mm

1020mm (H): 700mm

Accreditation: EN 15372:2008

Warranty: 24 months



Patented Technology

Fully concealed stabilising system offers greater strength and durability.



OFFICE & SHOWROOM:

KIAN WORKSPACE SDN.BHD.

No.1 (Lot 47) Jalan PBI 4,
Perindustrian Bukit Indah
47000 Sungai Buloh,
Selangor Darul Ehsan,
Malaysia

OUR FACTORY :

KIAN BERSATU MANUFACTURING

No.1 (Lot 47) Jalan PBI 4,
Perindustrian Bukit Indah
47000 Sungai Buloh,
Selangor Darul Ehsan,
Malaysia



ART DIRECTION:
Enrique Marti Associates

DESIGN AND LAYOUT:
Enrique Marti Associates

PHOTOGRAPHS:
E.M.A.

CONTENT / COPYWRITING:
KIAN

All photographs, artist's impressions, plans, measurements and colour representations are intended for illustrative and informative purposes only. They cannot be regarded as representations of fact and are subject to change at any time. Actual finishes and details may vary. No reproduction or republication of this copyrighted catalogue and/or its concept is permitted, whether in whole or in part.

Copyright © 2022 KIAN Group of Companies All Rights Reserved

Kian[®]

Better Design, Better Value, Better World